

EBARA

	Page
- SPECIFICATIONS	200
SELECTION CHART	201
TYPE KEY	203
PERFORMANCE CURVE SPECIFICATIONS	204
PERFORMANCE CURVE 32-125	205
PERFORMANCE CURVE 32-160	206
PERFORMANCE CURVE 32-200	207
PERFORMANCE CURVE 40-125	208
PERFORMANCE CURVE 40-160	209
PERFORMANCE CURVE 40-200	210
PERFORMANCE CURVE 50-125	211
PERFORMANCE CURVE 50-160	212
PERFORMANCE CURVE 65-125	213
PERFORMANCE CURVE 65-160	214
PERFORMANCE CURVE 65-200	215
- CONSTRUCTIONS	300
SECTIONAL VIEW DRAWING 3D	300
SECTIONAL VIEW TABLE 3D	301
SECTIONAL VIEW DRAWING 3DS 32, 40, 50	302
SECTIONAL VIEW DRAWING 3DS 65	303
SECTIONAL VIEW TABLE 3DS	304
SECTIONAL VIEW DRAWING 3DP	305
SECTIONAL VIEW TABLE 3DP	306
MECHANICAL SEAL STANDARD, H AND E VERSION	307
MECHANICAL SEAL HS VERSION Ø22	308
MECHANICAL SEAL HS VERSION Ø30	309
MECHANICAL SEAL HW AND HSW VERSION	310
BEARINGS 3D	311
BEARINGS 3DS-3DP	312
COUPLING 3DS	313
FLEXIBLE COUPLING 3DP	314
FITTINGS AND GASKETS	315
- DIMENSIONS AND WEIGHT	400
PUMP DIMENSIONS 3D UP TO 11kW	400
PUMP DIMENSIONS 3D 15 kW AND ABOVE	401
PUMP DIMENSIONS 3DS 32	402
PUMP DIMENSIONS 3DS 32, 65	403
PUMP DIMENSIONS 3DS 40, 50, 65	404
PUMP DIMENSIONS 3DP 32, 40, 50, 65	405
PACKING DIMENSIONS 3D	407
PACKING DIMENSIONS 3DS	408
PACKING DIMENSIONS 3DP	409

- TECHNICAL DATA	500
3D MOTOR DATA	500
3DS-3DP MOTOR DATA	501
3D NOISE DATA	502
3DS-3DP NOISE DATA	503

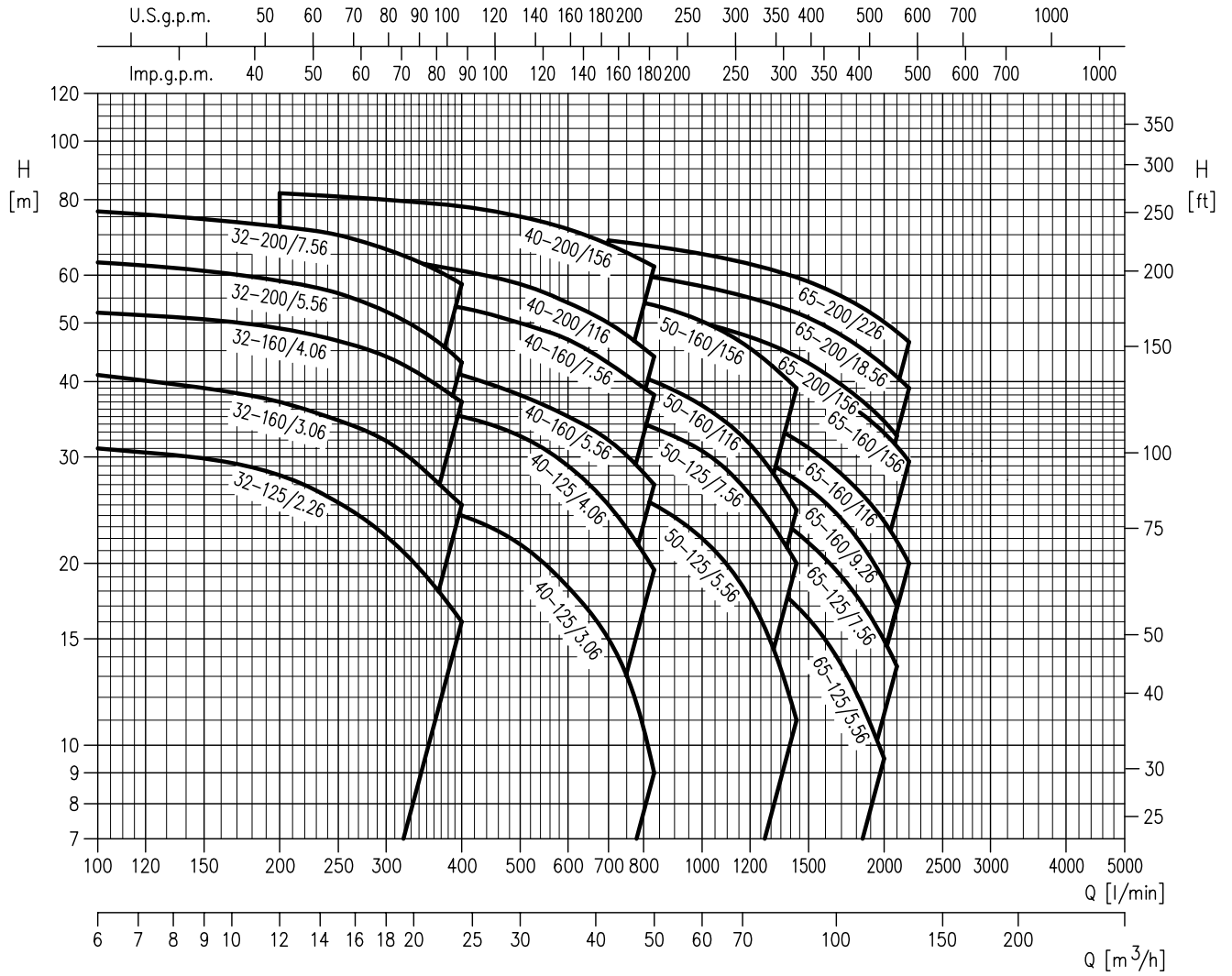
PUMP		
Liquid Handled	Type of liquid	Clean water
	Working temperature [°C]	-5 +90 standard version +110 H, HS, HW, HSW version +120 E version
Maximum working pressure	[MPa]	1
Construction	Impeller	Closed centrifugal type for 32, 40, 50 series Reinforced laser welding for 40-200/116, 50-200/156 Closed centrifugal three dimensional blades for 65 series
	Shaft seal type	Mechanical seal
	Bearing	Sealed ball bearing
Pipe Connection	Suction	Flange DN 50, 65 according to EN 1092-2 Flange DN 80 according to UNI 2236-67 (4 holes)
	Discharge	Flange DN 32, 40, 50, 65 according to EN 1092-2
Material	Casing	Cast iron EN-GJL-250-EN 1561
	Impeller	AISI 304 (32, 40, 50 series) AISI 316 made by precision casting (65 series)
	Shaft seal	Ceramic/Carbon/NBR (see Optionals on pag. 307-310)
	Shaft	AISI 304 (wet extension)
	Bracket	Aluminium/Cast iron
Accessory	Counterflange	DN 32, 40, 50, 65, 80 (see pag. 315)
Applicable standard of test		ISO 9906 - Annex A

MOTOR			
	3D	3DS	3DP
Type	Electric - TEFC Three Phase		
No. of Poles	2		
Rotation speed [min ⁻¹]	≈ 3500		
Insulation Class	F	F (class B for temperature rise)	
Protection degree (CEI EN 60034-5)	IP 55		
Power rating	[kW]	2.2 ÷ 22	
	[HP]	3.0 ÷ 30	
Frequency [Hz]	60		
Voltage [V]	220/380-460 ±10% (up to 4.0 kW)	265/460 ±10% (up to 4.0 kW)	
	380-460/660 ±10% (5.5 kW and above)	460 ±10% (5.5 kW and above)	
Over load protection	Provided by the user		
Casing material	Aluminium		
Motor support	Cast iron - Alluminium		
Dimensions of cable entry	PG13.5	M20x1.5, M25x1.5	
	PG16 PG21	M32x1.5, M40x1.5	
Flange mount (IEC motor)	/	IM B5 (up to 2.2 kW)	IM B3
		IM B35 (3.0 kW and above)	

SELECTION CHART

60Hz

Rev. A



SELECTION CHART

60Hz

Rev. A

3D SERIES 32 SIZE

Pump type	kW	HP	l/min	100	150	200	250	300	350	400
			0	6	9	12	15	18	21	24
32-125/2.26	2.2	3	32.7	32.5	31.4	29.6	27.2	24.4	21.4	18
32-160/3.06	3	4	42	41.5	40	38.4	35.9	32.8	29.3	25
32-160/4.06	4	5.5	53.5	53	51.5	49.5	47	44.5	41.5	38
32-200/5.56	5.5	7.5	64	62.5	61.5	59	56.5	53.5	50	46
32-200/7.56	7.5	10	75.5	74	72.5	70.5	68.5	65	61.5	58

3D SERIES 40 SIZE

Pump type	kW	HP	l/min	200	300	400	500	600	700	833
			0	12	18	24	30	36	42	50
40-125/3.06	3	4	27	26.7	25.5	23.6	21.1	18.3	14.8	9.5
40-125/4.06	4	5.5	37	36.5	35.8	34.6	32.7	30.2	27.1	22.7
40-160/5.56	5.5	7.5	44.5	43.5	42	39.8	37.2	34.6	31.8	27.5
40-160/7.56	7.5	10	56	54	52.5	50.5	48	45.5	42.5	38.5
40-200/116	11	15	66	65	63.5	62	60	57	54	49.5
40-200/156	15	20	81	80	78.5	77	75	73	70.5	66.5

3D SERIES 50 SIZE

Pump type	kW	HP	l/min	500	600	700	800	1000	1200	1433
			0	30	36	42	48	60	72	86
50-125/5.56	5.5	7.5	32.6	31.8	31.2	30.2	28.9	25.6	21.7	16.8
50-125/7.56	7.5	10	38	37.1	36.5	35.6	34.3	31	27.2	22
50-160/116	11	15	47	46.5	45.5	44.5	43	39.8	35.5	29.4
50-160/156	15	20	56	56	55.5	54.5	53.5	50.5	46.5	40.5

3D SERIES 65 SIZE

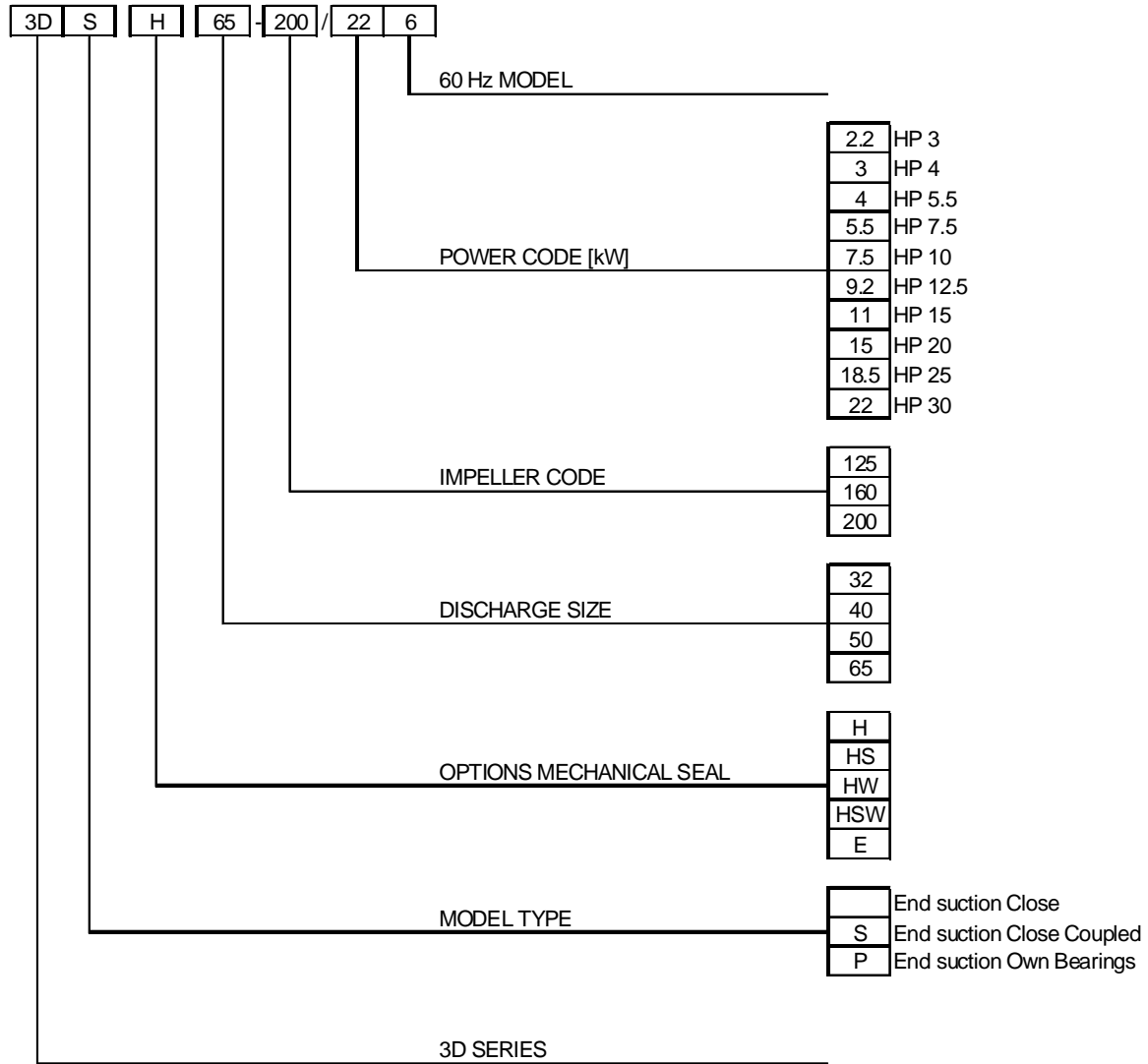
Pump type	kW	HP	l/min	600	700	900	1200	1500	1600	1800	2000	2100	2200
			0	36	42	54	72	90	96	108	120	126	132
65-125/5.56	5.5	7.5	25.5	25.5	24.9	23.3	20.2	16.4	15.1	12.4	9.5	-	-
65-125/7.56	7.5	10	32	31.3	30.8	29.2	26.4	22.8	21.5	18.7	15.4	13.7	-
65-160/9.26	9.2	12.5	36.6	-	35.1	33.3	30.1	26.6	25.4	22.4	19	17	-
65-160/116	11	15	41	-	40	38.3	35.6	32.1	30.8	28.2	25.3	23.5	21.5
65-160/156	15	20	48.5	-	48	46.5	44	40.5	39.2	36.5	33.7	32.2	30.5
65-200/156	15	20	55.5	-	53	51	47	42	39.9	35.6	30.7	28	-
65-200/18.56	18.5	25	62.5	-	60.5	58.5	55	50.5	48.5	44.5	39.9	37.4	35
65-200/226	22	30	69.5	-	67.5	66	62.5	58.5	56.5	53	49	47	44.5

TYPE KEY AND CURVE SPECIFICATIONS

60Hz

Rev. A

TYPE KEY



PERFORMANCE CURVE SPECIFICATIONS

The specifications below qualify the curves shown on the following pages.

Tolerances according to ISO 9906 Annex A

The curves refer to effective speed of asynchronous motors at 60 Hz

Measurements were carried out with clean water at 20°C of temperature and with a kinematic viscosity of $\nu = 1 \text{ mm}^2/\text{s}$ (1 cSt)

The NPSH curve is an average curve obtained in the same conditions of performance curves.

The continuous curves indicate the recommended working range. The dotted curve is only a guide.

In order to avoid the risk of over-heating, the pumps should not be used at a flow rate below 10% of best efficiency point.

Symbols explanation:

Q = volume flow rate

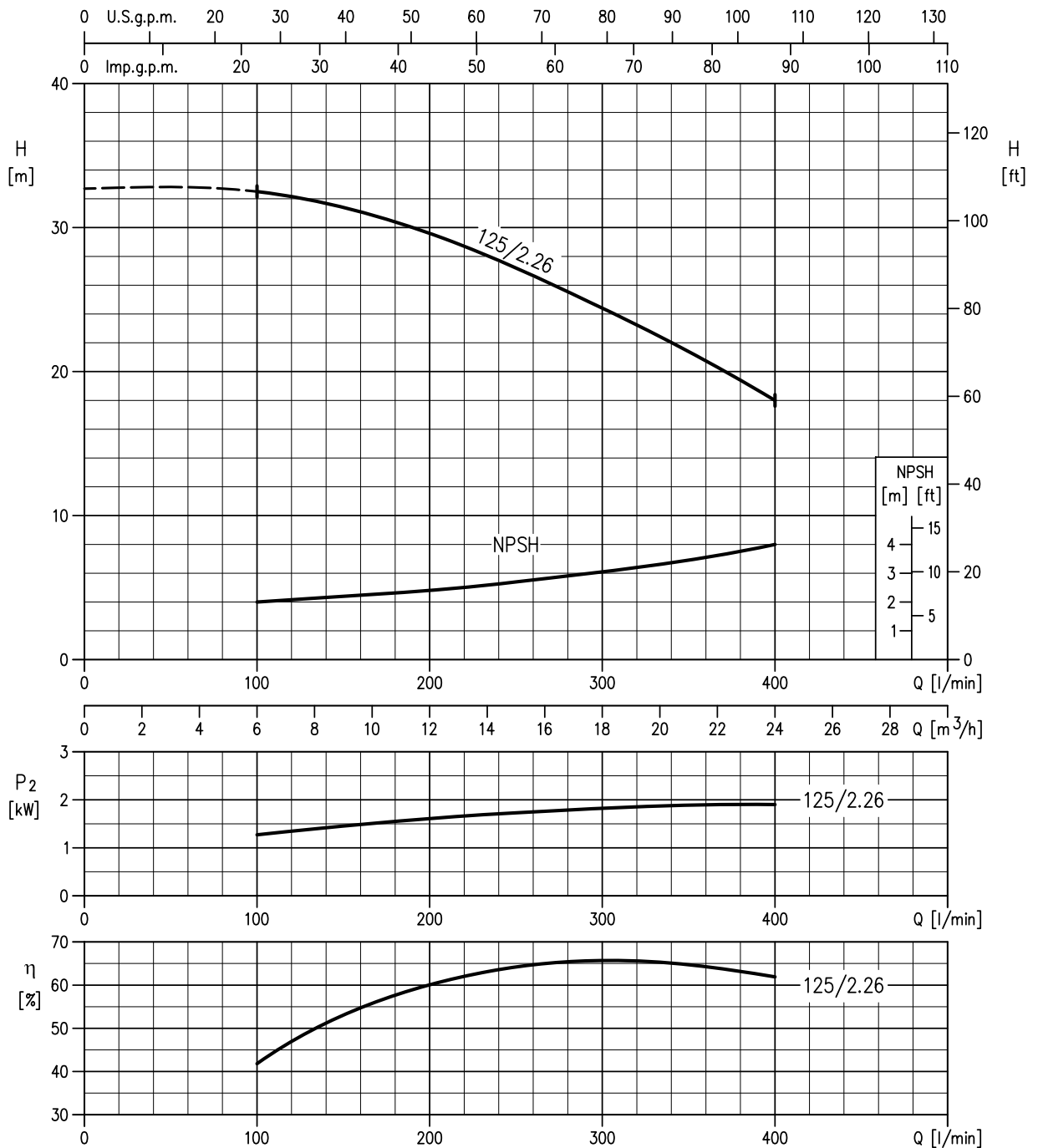
H = total head

P_2 = pump power input (shaft power)

η = pump efficiency

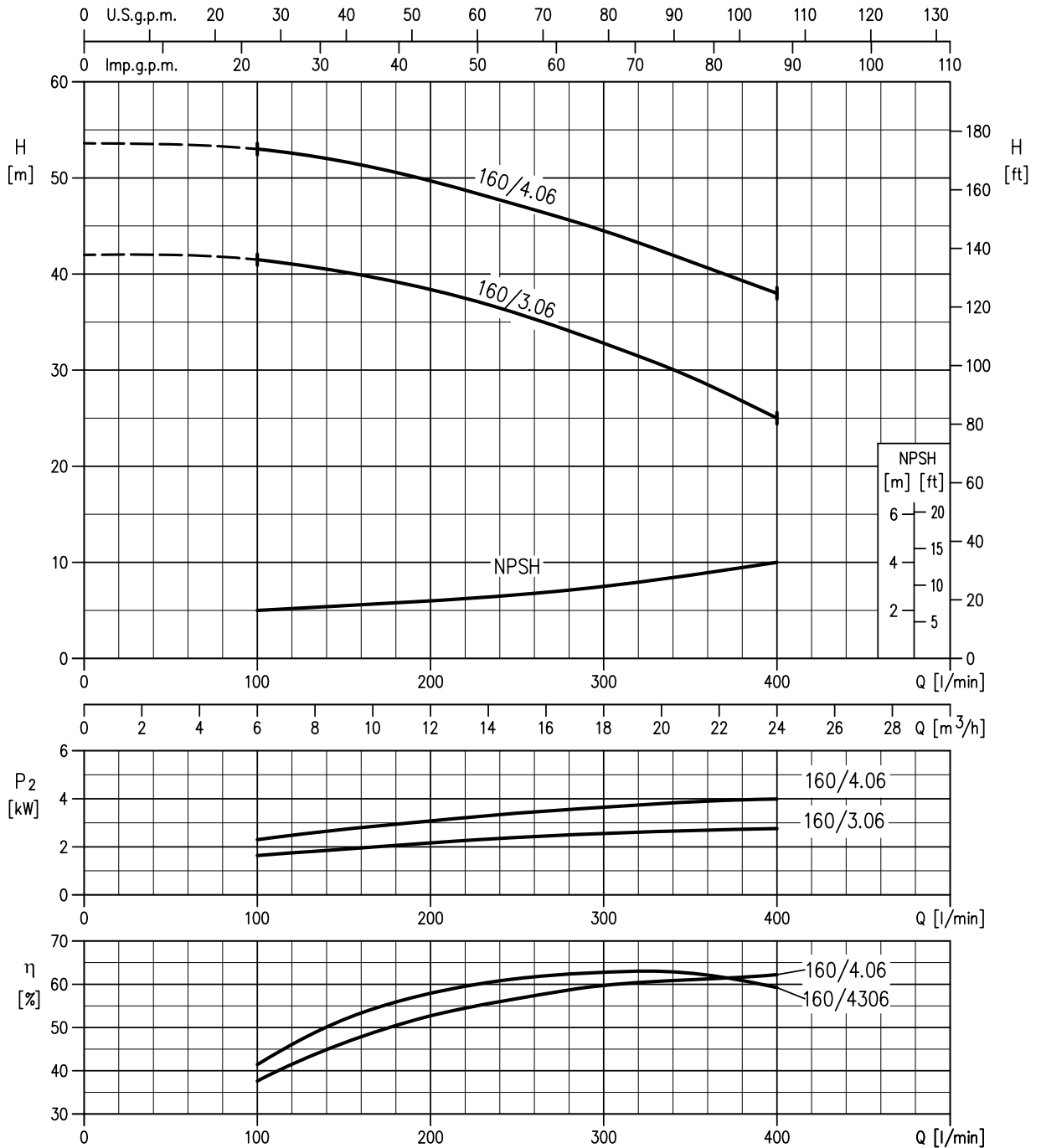
NPSH = net positive suction head required by the pump

32-125/2.26 (2.2kW) – impeller diameter = 133 mm



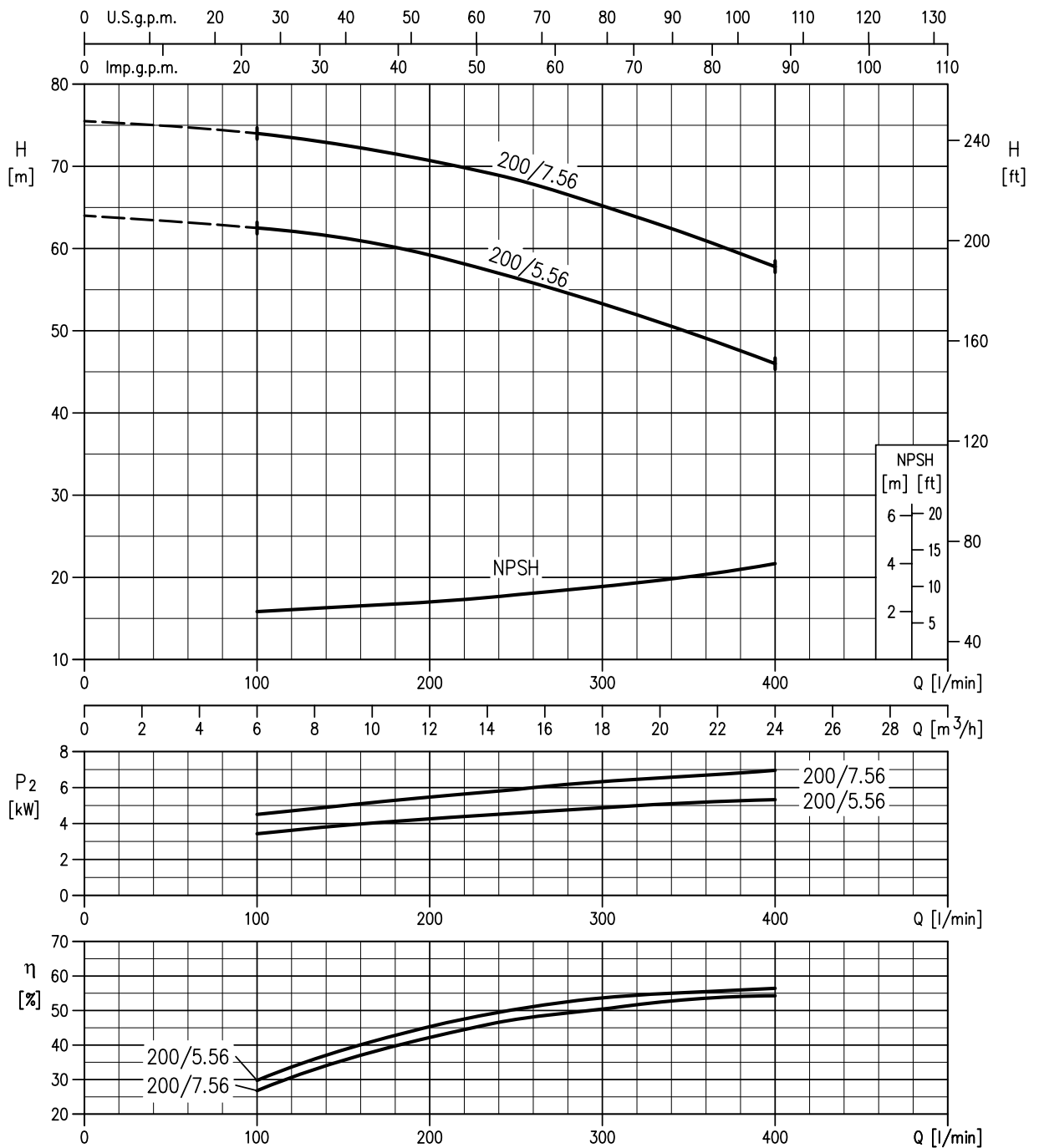
Rotation speed ≈ 3480 min⁻¹
 Test standard: ISO 9906 – Annex A

32-160/3.06 (3.0kW) – impeller diameter = 151 mm
 32-160/4.06 (4.0kW) – impeller diameter = 166 mm



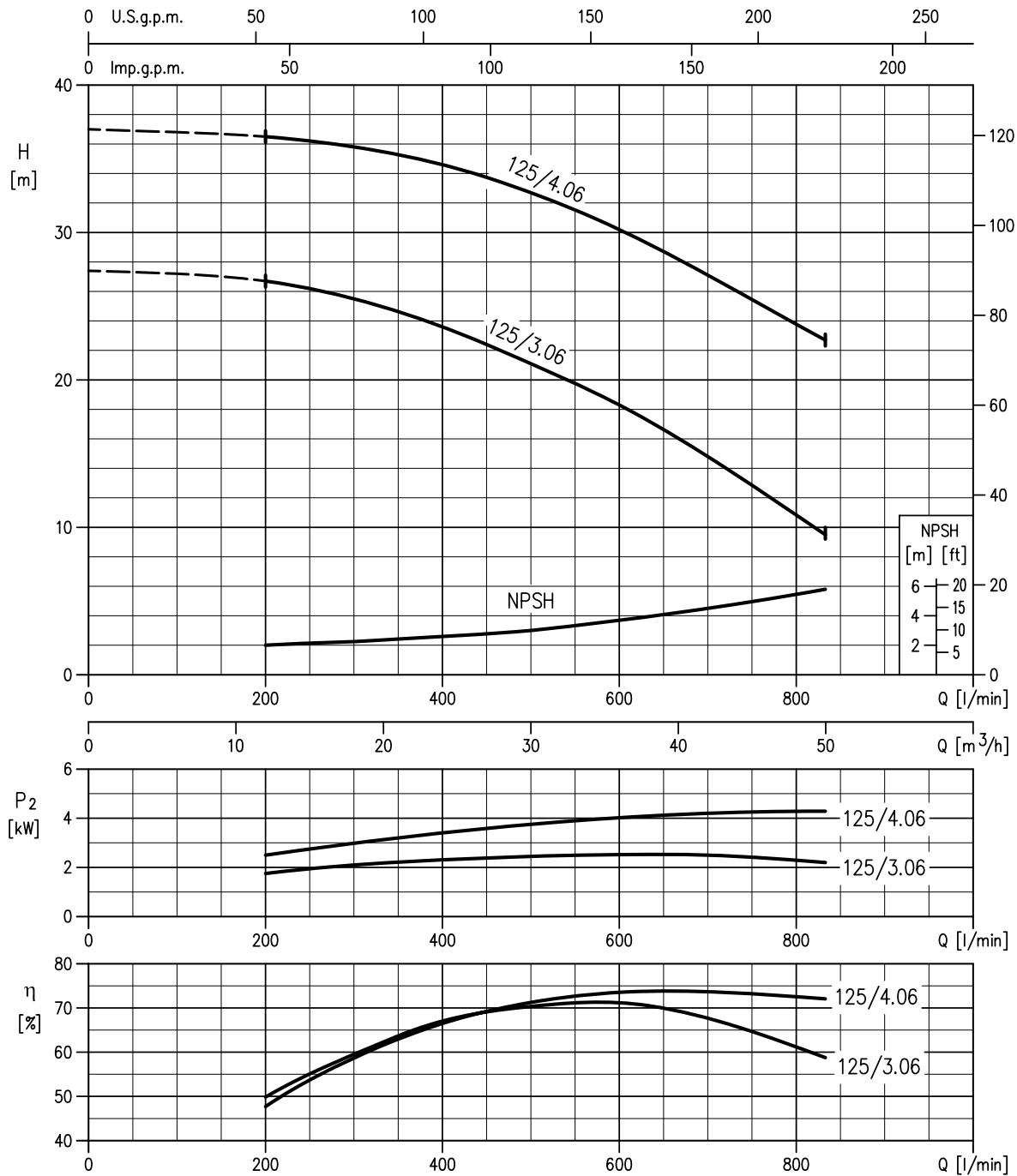
Rotation speed ≈ 3480 min⁻¹
 Test standard: ISO 9906 – Annex A

32-200/5.56 (5.5kW) – impeller diameter = 186 mm
 32-200/7.56 (7.5 kW) – impeller diameter = 200 mm



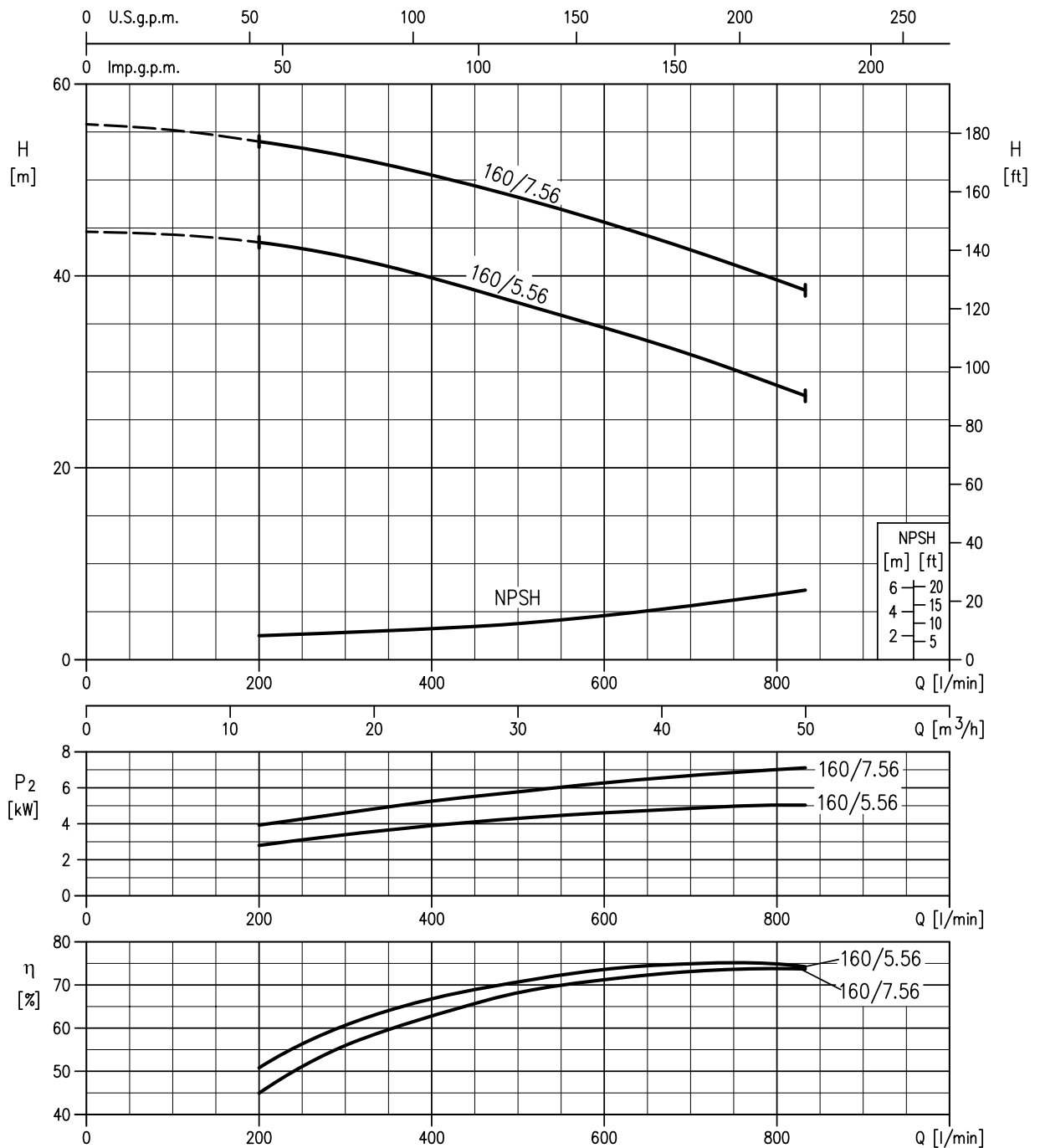
Rotation speed ≈ 3480 min⁻¹
 Test standard: ISO 9906 – Annex A

40-125/3.06 (3.0 kW) – impeller diameter = 125 mm
 40-125/4.06 (4.0 kW) – impeller diameter = 140 mm



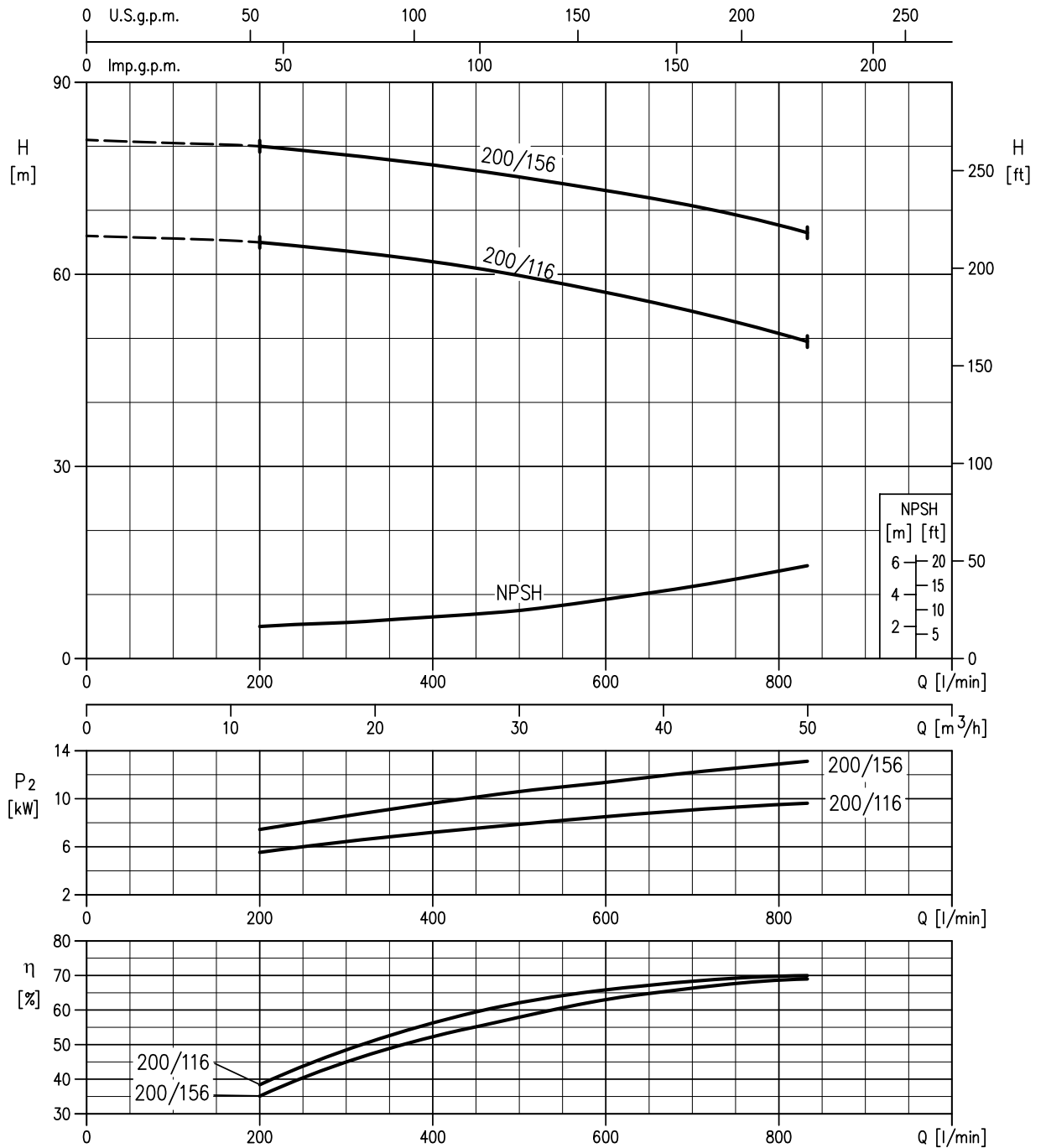
Rotation speed ≈ 3480 min⁻¹
 Test standard: ISO 9906 – Annex A

40-160/5.56 (5.5 kW) – impeller diameter = 151 mm
 40-160/7.56 (7.5 kW) – impeller diameter = 166 mm



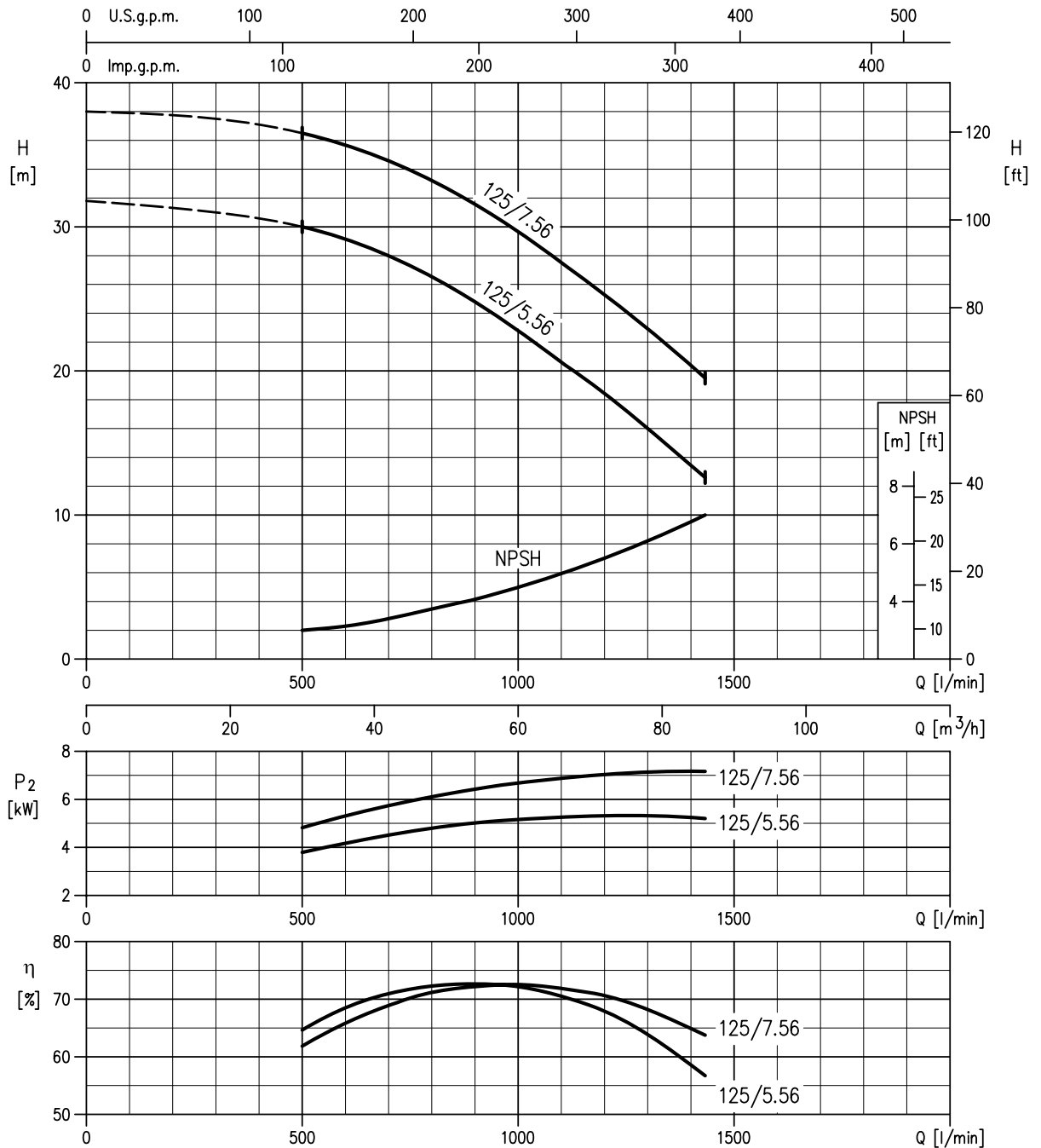
Rotation speed $\approx 3480 \text{ min}^{-1}$
 Test standard: ISO 9906 – Annex A

40-200/116 (11 kW) – impeller diameter = 183 mm
 40-200/156 (15 kW) – impeller diameter = 200 mm



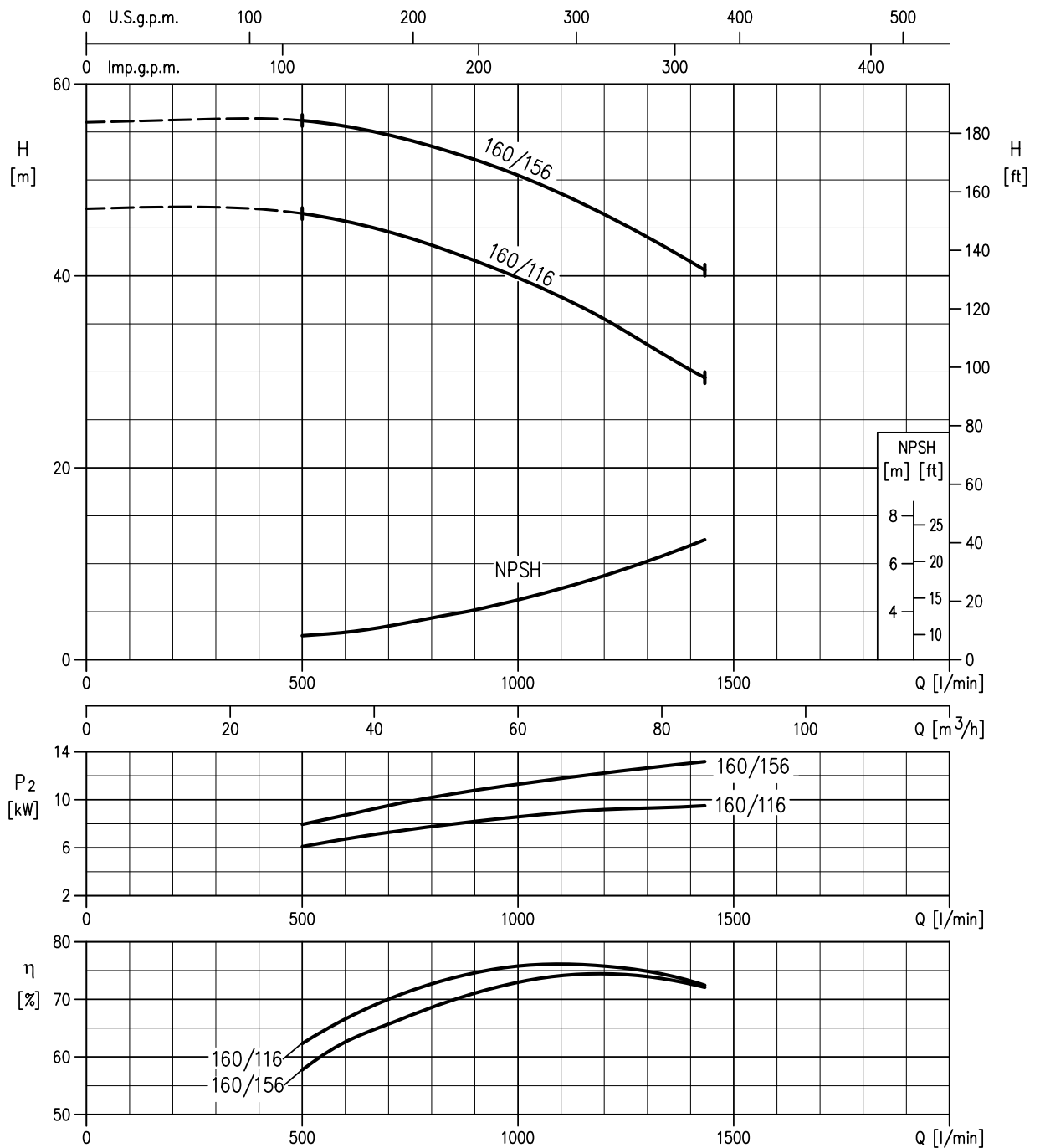
Rotation speed ≈ 3480 min⁻¹
 Test standard: ISO 9906 – Annex A

50-125/5.56 (5.5 kW) – impeller diameter = 131 mm
 50-125/7.56 (7.5 kW) – impeller diameter = 140 mm



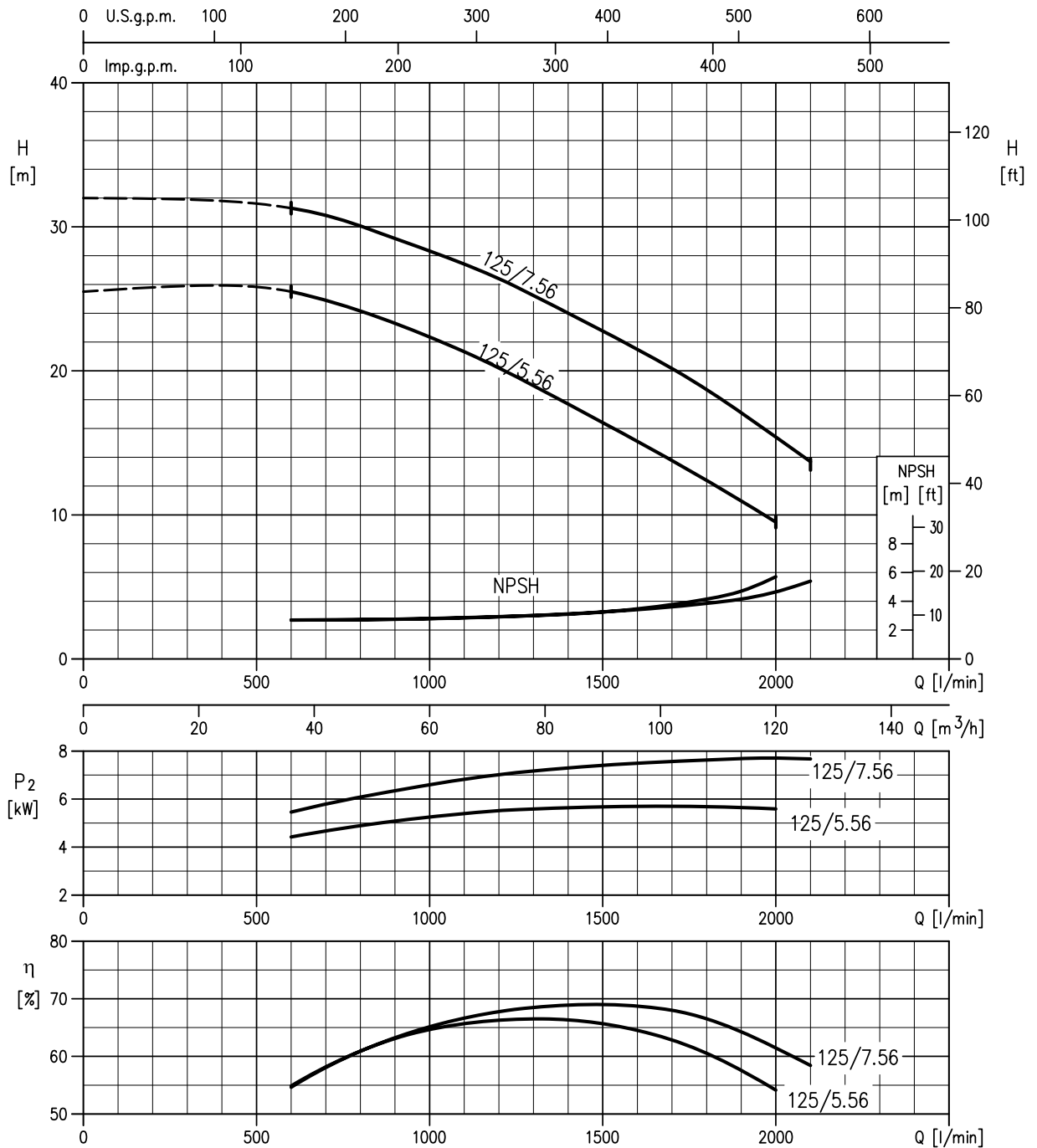
Rotation speed ≈ 3480 min⁻¹
 Test standard: ISO 9906 – Annex A

50-160/11.6 (11 kW) – impeller diameter = 154 mm
 50-160/156 (15 kW) – impeller diameter = 166 mm



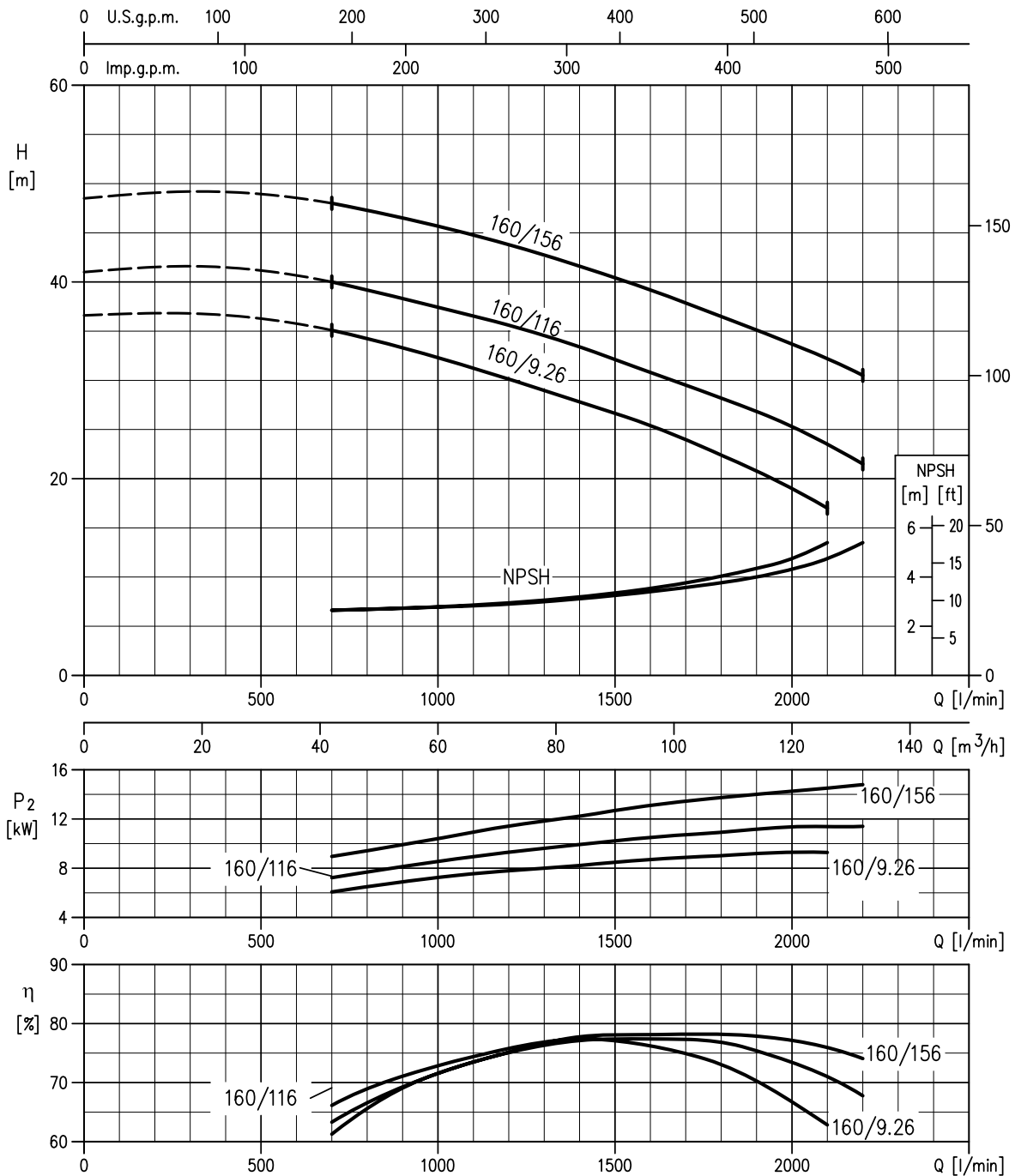
Rotation speed ≈ 3480 min⁻¹
 Test standard: ISO 9906 – Annex A

65-125/5.56 (5.5 kW) – impeller diameter = 121 mm
 65-125/7.56 (7.5 kW) – impeller diameter = 132 mm



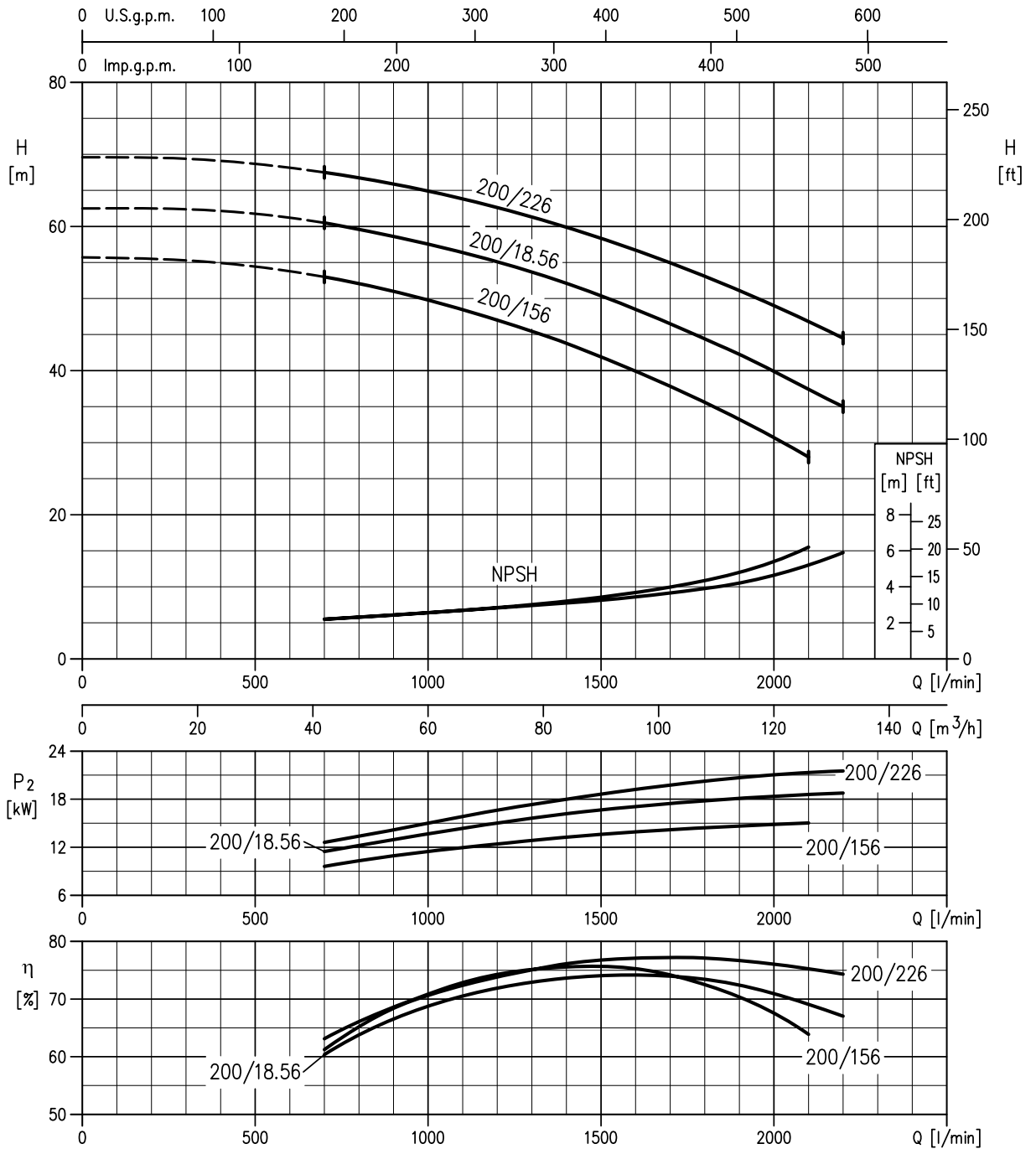
Rotation speed $\approx 3480 \text{ min}^{-1}$
 Test standard: ISO 9906 – Annex A

65-160/9.26 (9.2 kW) – impeller diameter = 139 mm
 65-160/116 (11 kW) – impeller diameter = 146 mm
 65-160/156 (15 kW) – impeller diameter = 157 mm



Rotation speed $\approx 3480 \text{ min}^{-1}$
 Test standard: ISO 9906 – Annex A

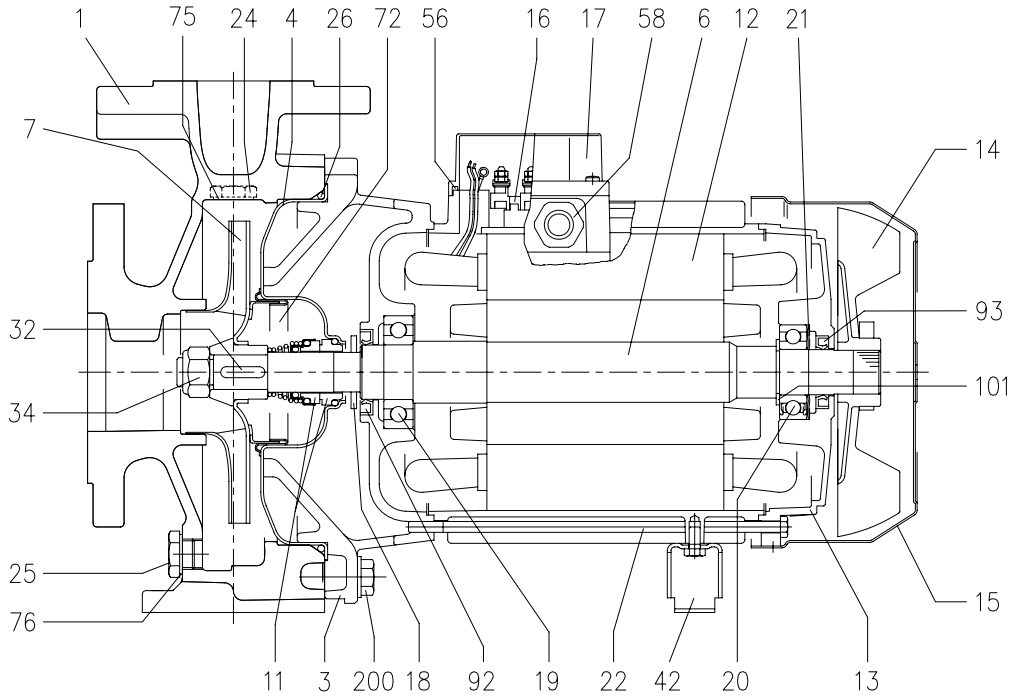
65-200/156 (15 kW) – impeller diameter = 165 mm
 65-200/18.56 (18.5 kW) – impeller diameter = 175 mm
 65-200/226 (22 kW) – impeller diameter = 184 mm



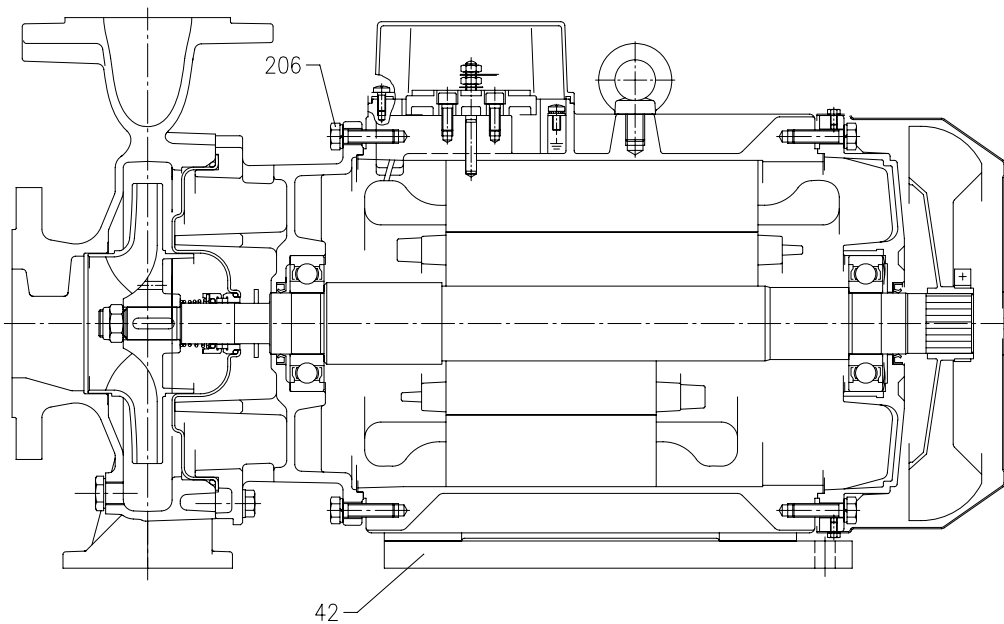
Rotation speed ≈ 3480 min⁻¹
 Test standard: ISO 9906 – Annex A

3D SECTIONAL VIEW DRAWING

UP TO 11 kW



15 kW AND ABOVE



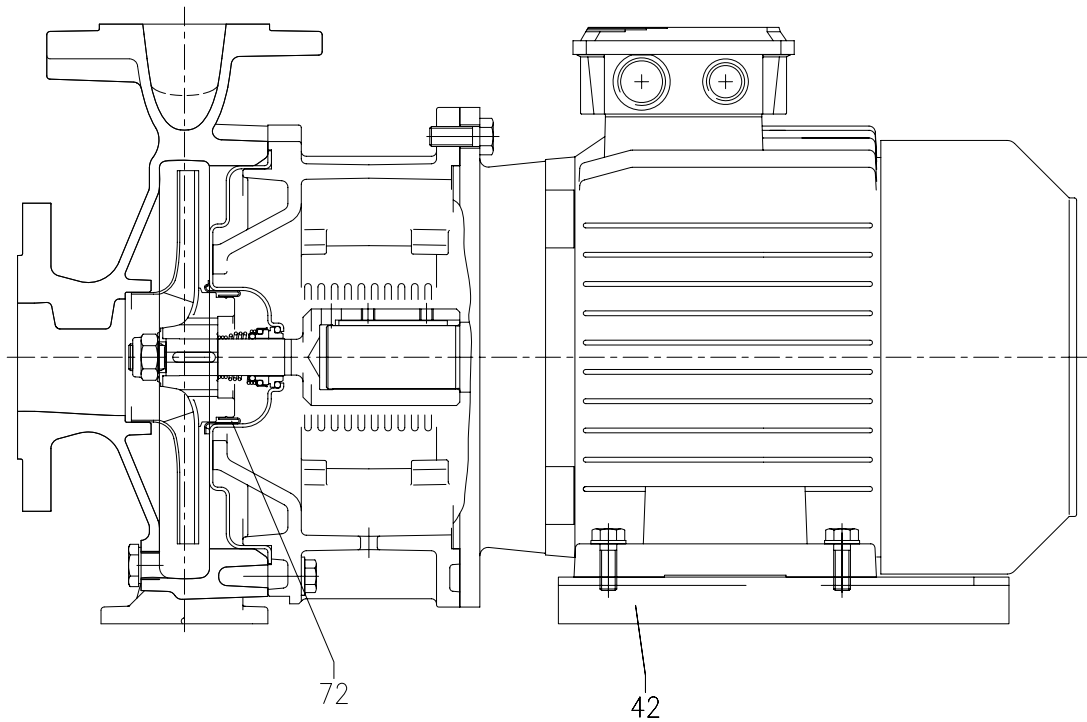
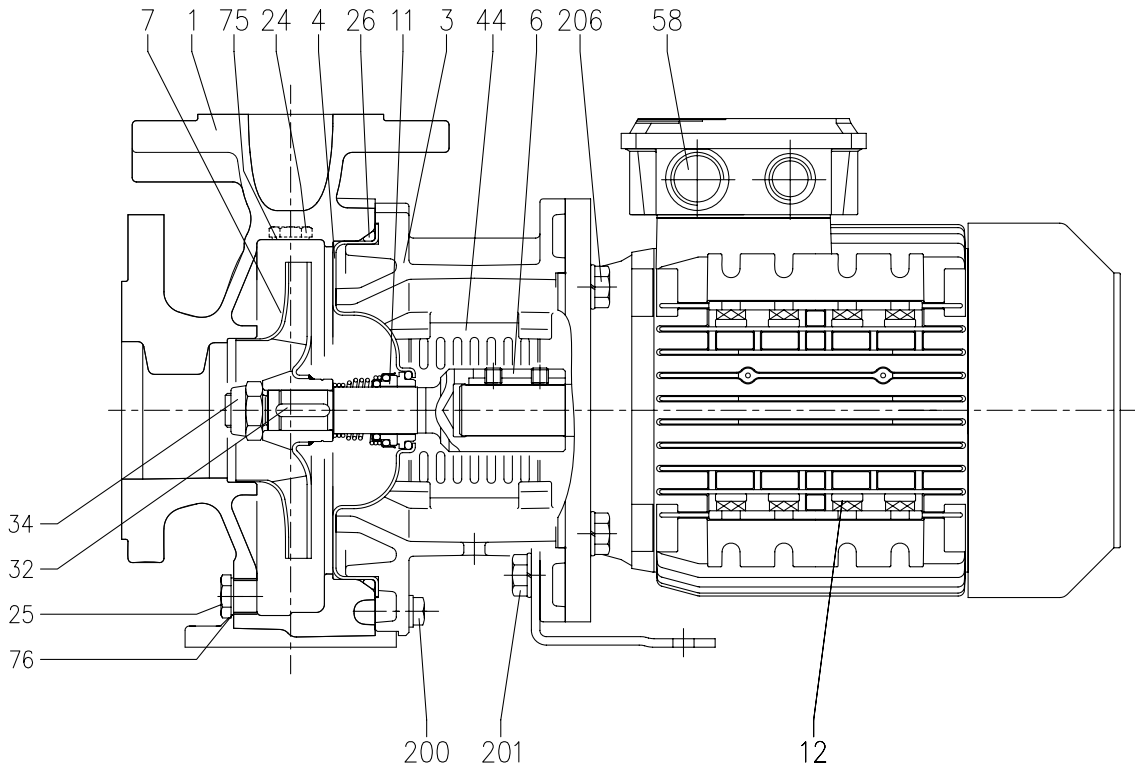
3D SECTIONAL VIEW TABLE

N°	PART NAME	MATERIAL	DIMENSIONS	STANDARD	Q.TY		
001	Casing	Cast iron EN-GJL-250-EN 1561			1		
003	Motor bracket	[1]			1		
004	Casing cover	EN 1.4301 (AISI 304)			1		
006	Shaft with rotor - Wet extension	EN 1.4301 (AISI 304)			1		
007	Impeller	[2]			1		
011	Mechanical seal	[3]	[3]		1		
012	Motor frame with stator	-			1		
013	Motor cover	Aluminium			1		
014	Fan	PA			1		
015	Fan cover	Fe P04 Galvanized			1		
016	Terminal	-			1		
017	Terminal box cover	Aluminium (three phase version)			1		
018	Splash ring	Up to 11 kW 15 kW and above	NBR	40x21.5x2	EBARA DRAWING	1	
				50x29.5x3			
019	Bearing	-	[4]		1		
020	Bearing	-	[4]		1		
021	Adjusting ring	Steel C70			1		
022	Tie rod	Up to 3 kW For 4 - 5.5 - 7.5 kW 9.2 e 11kW	Fe 42 Galvanized	M5	EBARA DRAWING	4	
				M6			
				M8			
				M10x40			
24	Screw	15 kW and above	Gv. Steel 8.8 strenght class ISO 898-1	UNI 5739	1		
24	Priming plug		Brass	G 3/8" L=8	1		
25	Draining plug		Brass	G 3/8" L=8	1		
026	"O" ring	32-125, 40-125 32-160, 40-160, 50-125, 65-125 32-200, 40-200, 50-160, 50-200, 65-160, 65-200	NBR [5]	158.11x5.34	OR 6625	1	
				183.52x5.34	OR 6720		
				227.96x5.34	OR 6895		
032	Key	Up to 11 kW 50-200/156 15 kW and above	EN 1.4401 (AISI 316)	A 6x6x25	UNI 6604	1	
				A 8x7x30			
034	Impeller nut	Up to 11kW 50-200/156 15 kW and above	EN 1.4301 (AISI 304)	M16x1.5	UNI 7474	1	
				M18x1.5			
				M20x1.5			
042	Foot	Aluminium / Galvanized steel		EBARA DRAWING	[6]		
056	Box gasket	NBR			1		
058	Cable gland	-			[7]		
072	Casing ring [8]	EN 1.4301 (AISI 304)			1		
075	Washer	Aluminium	22x17x1.5	EBARA DRAWING	1		
076	Washer	Aluminium			1		
092	Lip seal	Up to 3kW From 4 to 7.5 kW From 9.2 kW to 11 kW From 15 kW to 22 kW	-	25x40x7	DIN 3760 without spring	1	
				30x47x7			
				40x55x7			
				45x60x7			
093	Lip seal	Up to 4 kW From 5.5 kW to 7.5 kW From 9.2 kW to 11 kW From 15 kW to 22 kW	-	25x40x7	DIN 3760 without spring	1	
				30x47x7			
				40x55x7			
				45x60x7			
101	Snap ring [9]	Carbon tool steels TC 80	Ø 40	UNI 7435	1		
200	Screw	32-125 40-125 32-160 40-160 50-125 65-125 32-200, 40-200 50-160, 50-200 65-160, 65-200	Gv. Steel 8.8 strenght class ISO 898-1	M 8x30	UNI 5739	8	
							10
							12
235	Washer	32-125 40-125 32-160 40-160 50-125 65-125 32-200, 40-200 50-160, 50-200 65-160, 65-200	Galvanized Steel	8.4x17	UNI 6592	8	
							10
							12
206	Screw for bracket [10]	Gv. Steel 8.8 strenght class ISO 898-1	M 10x40	UNI 5739	4		

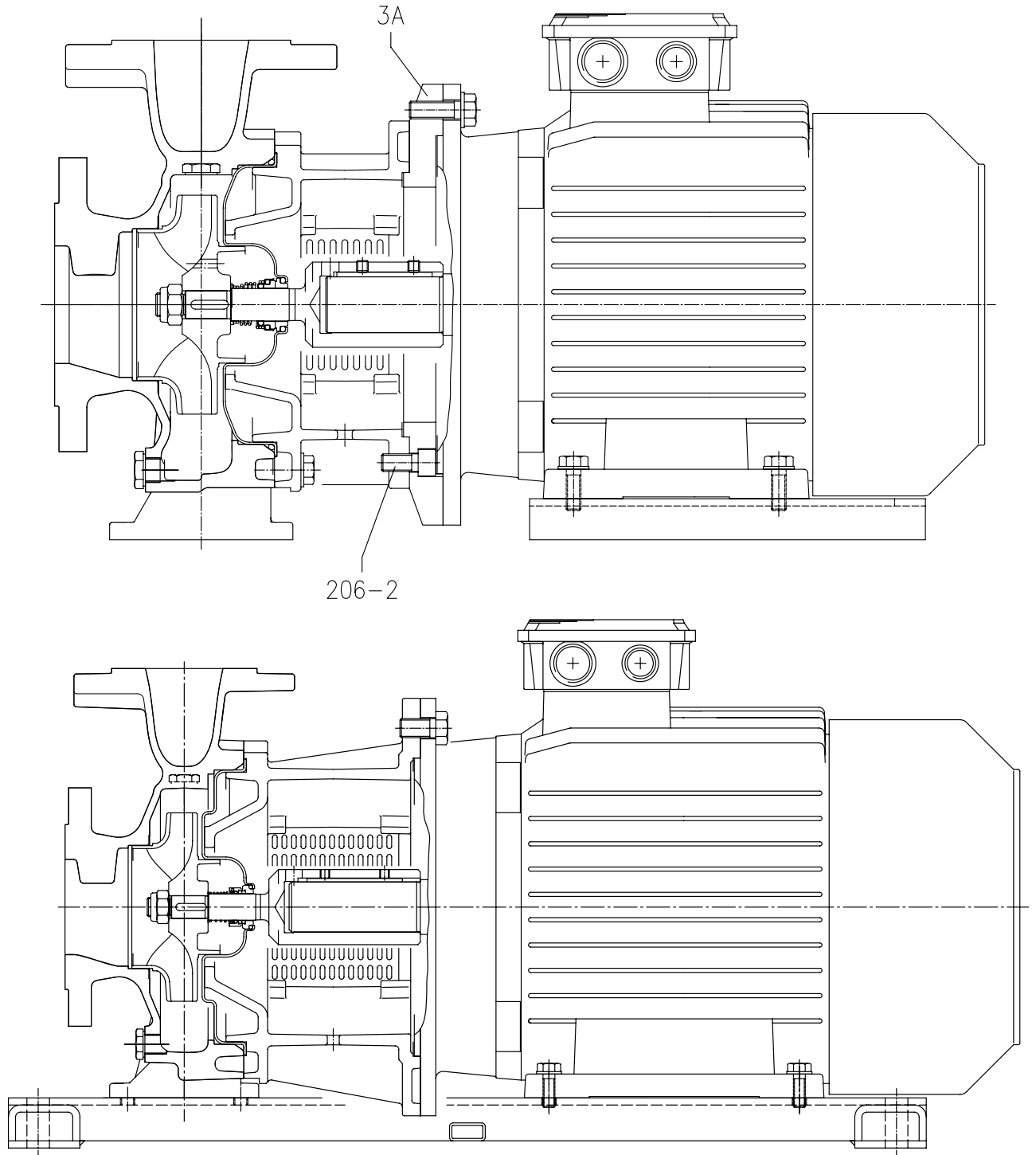
Counterflange kit on request see p. 315

- [1] Cast iron EN-GJL-200-EN 1561 for 3D 40-125/4.6, 40-160/7.56, 65-125/5.56; 65-125/7.56
Aluminum AL-EN-1706-AC-46000-D for all the others;
- [2] EN 1.4301 (AISI 304) for 32, 40, 50 series;
EN 1.4401 (AISI 316) for 65 series
- [3] For special version and dimensions see pag. 307-310
- [4] See pag. 311
- [5] FPM for H, HS, HW, HSW version;
EPDM for E version
- [6] 0 for 65-160/15 kW;
1 for pumps up to 11 kW
2 for 65-200/15, 18.5, 22 kW
- [7] 1 for pumps with motor up to 11 kW
2 for pumps with 15 kW motor and above
- [8] Only for: 32-200, 40-200, 50-160
- [9] Only for pumps with 9.2 and 11 kW motor
- [10] Only for pumps with 15 kW motor and above

3DS 32, 40, 50 SECTIONAL VIEW DRAWING



3DS 65 SECTIONAL VIEW DRAWING



3DS SECTIONAL VIEW TABLE

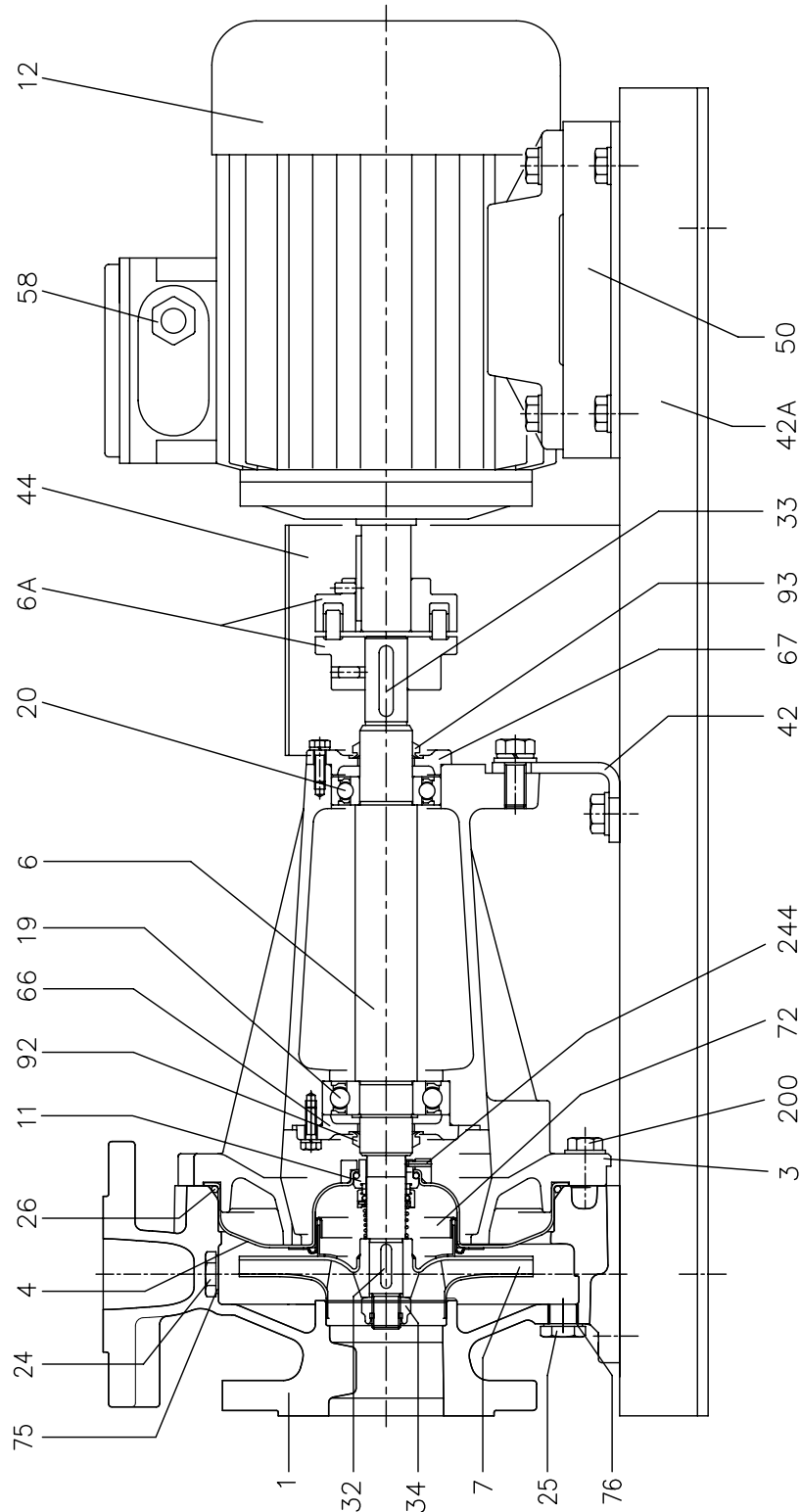
N°	PART NAME		MATERIAL	DIMENSIONS	STANDARD	Q.TY
001	Casing		Cast iron EN-GJL-200-EN 1561			1
003	Motor bracket		Cast iron EN-GJL-200-EN 1561			1
003A	Adapter ring [1]		Cast iron EN-GJL-200-EN 1561			1
004	Casing cover		EN 1.4301 (AISI 304)			1
006	Coupling - Wet extensions		EN 1.4301 (AISI 304)	[2]		1
007	Impeller		[3]			1
011	Mechanical seal		[4]	[4]		1
012	Motor		-			1
024	Priming plug		Brass	G 3/8" L=8		1
025	Draining plug		Brass	G 3/8" L=8		1
026	"O" ring	32-125, 40-125	NBR [5]	158.11x5.34	OR 6625	1
		32-160, 40-160, 50-125, 65-125		183.52x5.34	OR 6720	
		32-200, 40-200, 50-160, 50-200, 65-160, 65-200		227.96x5.34	OR 6895	
032	Key	Up to 11 kW	EN 1.4401 (AISI 316)	6x6x25	UNI 6604	1
		50-200/156		8x7x30		
		15 kW and above				
034	Impeller nut	Up to 11kW	EN 1.4301 (AISI 304)	M16x1.5	UNI 7474	1
		50-200/156		M18x1.5		
		15 kW and above		M20x1.5		
042	Foot		Galvanized Steel			[6]
044	Protection		EN 1.4301 (AISI 304)		EBARA DRAWING	1
058	Cable gland		-			
072	Casing ring [7]		EN 1.4301 (AISI 304)			1
075	Washer		Aluminum	22x17x1.5	EBARA DRAWING	1
076	Washer		Aluminum			1
200	Screw	32-125	Gv. Steel 8.8 strenght class ISO 898-1	M8x30	UNI 5739	8
		40-125				
		32-160		M10x35		10
		40-160				
		50-125				
65-125	12					
32-200, 40-200						
50-160, 50-200						
65-160, 65-200						
201	Screw [8]		Gv. Steel 8.8 strenght class ISO 898-1	M10x16	UNI 5739	2
206	Screw for bracket		Gv. Steel 8.8 strenght class ISO 898-1	M10x40	UNI 5739	4
206-2	Screw adapter ring [1]		Gv. Steel 8.8 strenght class ISO 898-1	M12x20	UNI 5931	4
235	Washer	32-125	Galvanized Steel	8.4x17	UNI 6592	8
		40-125				
		32-160		10.5x21		10
		40-160				
		50-125				
65-125	12					
32-200, 40-200						
50-160, 50-200						
65-160, 65-200						

Counterflange kit on request see p. 315

- [1] Only for 65-125/5.56 and 65-125/7.56
- [2] See pag. 313
- [3] EN 1.4301 (AISI 304) for 32, 40, 50 series; EN 1.4401 (AISI 316) for 65 series
- [4] See pag. 307-301
- [5] FPM for H, HS, HW, HSW version; EPDM for E version

- [6] 0 for version 65-200/226
1 for version for 32, 40, 50, 65-125/5.56, 65-125/7.56, 65-160/1.16, 65-160/156, 65-200/156, 65-200/18.56
- [7] 2 for version for 65-125/4, 65-160/7.5, 65-160/9.2
- [7] Only for: 32-200, 40-200, 50-160
- [8] Only for version 32-125/1.16, 32-160/1.56, 32-160/2.26, 40-125/1.56, 40-125/2.26, 50-125/2.26

3DP SECTIONAL VIEW DRAWING



3DP SECTIONAL VIEW TABLE

N°	PART NAME		MATERIAL	DIMENSIONS	STANDARD	Q.TY
001	Casing		Cast iron EN-GJL-200-EN 1561			1
003	Support		Cast iron EN-GJL-200-EN 1561			1
004	Casing cover		EN 1.4301 (AISI 304)			1
006	Shaft - Wet extension		EN 1.4301 (AISI 304)			1
006A	Flexible coupling		Cast iron EN-GJL-250-EN 1561	[1]		1
007	Impeller		[2]			1
011	Mechanical seal		[3]	[3]		1
012	Motor		-			1
019	Bearing		-	[4]		1
020	Bearing		-	[4]		1
024	Priming plug		Brass	G 3/8" L=8	DIN 906	1
025	Drain plug		Brass	G 3/8" L=8	DIN 906	1
026	"O" ring	32-125, 40-125	NBR [5]	158.11x5.34	OR 6625	1
		32-160, 40-160, 50-125, 65-125		183.52x5.34	OR 6720	
		32-200, 40-200, 50-160, 50-200, 65-160, 65-200		227.96x5.34	OR 6895	
032	Key	Up to 11 kW	EN 1.4401 (AISI 316)	6x6x25	UNI 6604	1
		50-200/156		8x7x30		
		15 kW and above				
033	Key		C 40	8x7x40	UNI 6604	1
034	Impeller nut	Up to 11kW	EN 1.4301 (AISI 304)	M16x1.5	UNI 7474	1
		50-200/156		M18x1.5		
		15 kW and above		M20x1.5		
042	Pump support		Fe 37 Galvanized		EBARA DRAWING	1
042A	Base		Fe 37 Galvanized			1
044	Protection		Fe 37 Galvanized			1
050	Foot		Aluminium / Galvanized steel			1
058	Cable gland		-			1
066	Impeller side bearing cover		Cast iron EN-GJL-200-EN 1561			1
067	Motor side bearing cover		Cast iron EN-GJL-200-EN 1561			1
072	Casing ring [6]		EN 1.4301 (AISI 304)			1
075	Washer		Aluminum	22x17x1.5	EBARA DRAWING	1
076	Washer		Aluminum	22x17x1.5	EBARA DRAWING	1
092	"V" ring		-	VS - 0030		1
093	"V" ring		-	VS - 0030		1
200	Screw	32-125	Gv. Steel 8.8 strenght class ISO 898-1	M 8x30	UNI 5739	8
		40-125		M 10x35		10
		32-160				
		40-160				
		50-125		12		
65-125						
32-200, 40-200						
50-160, 50-200						
65-160, 65-200						
235	Washer	32-125	Galvanized Steel	8.4x17	UNI 6592	8
		40-125		10.5x21		10
		32-160				
		40-160				
		50-125		12		
65-125						
32-200, 40-200						
50-160, 50-200						
65-160, 65-200						

Counterflange kit on request see p. 315

[1] See pag. 314

[2] EN 1.4301 (AISI 304) for 32, 40, 50 series;
EN 1.4401 (AISI 316) for 65 series

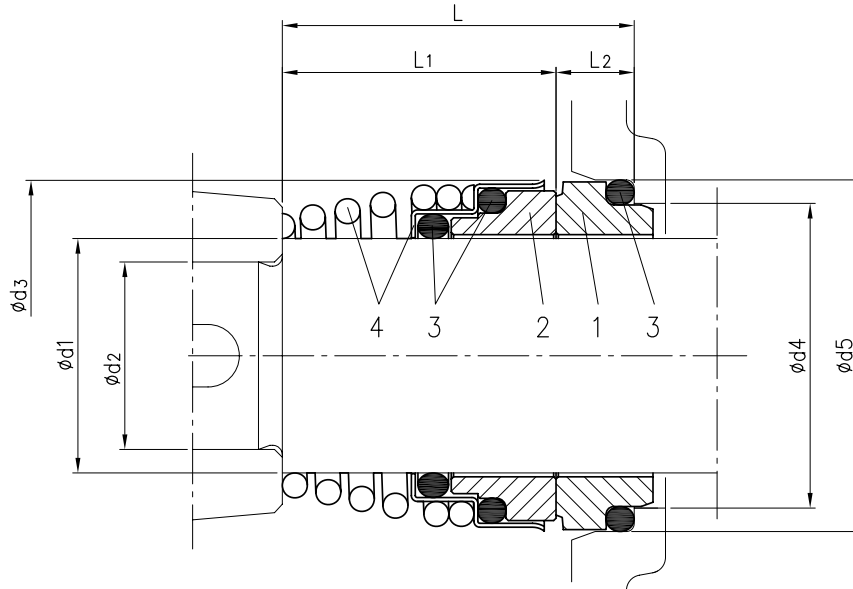
[3] See pag. 307-310

[4] See pag. 312

[5] FPM for H, HS, HW, HSW version;
EPDM for E version

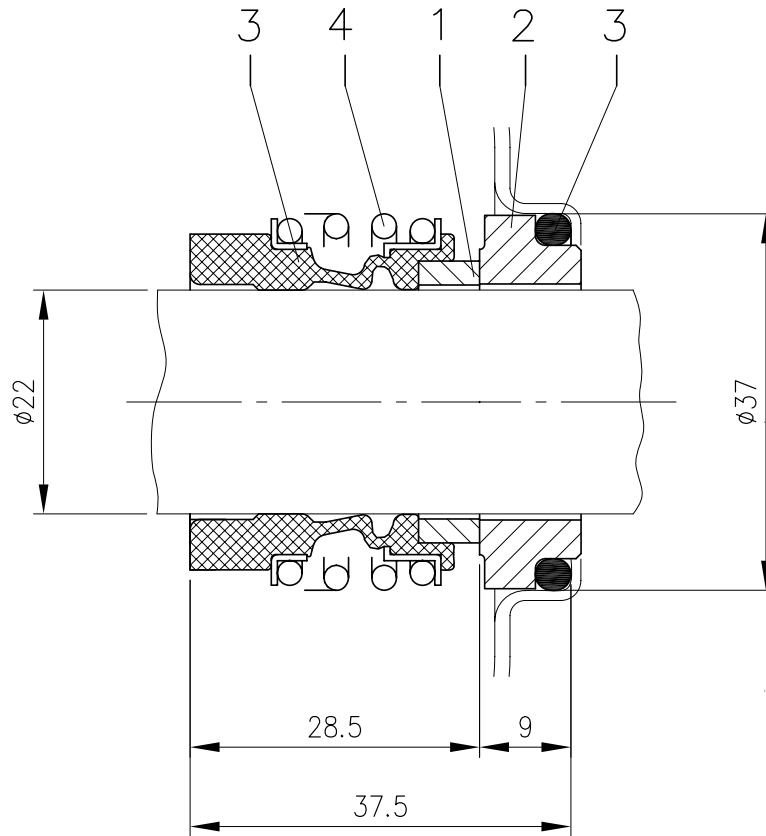
[6] Only for: 32-200, 40-200, 50-160

MECHANICAL SEAL (standard, H, and E version)



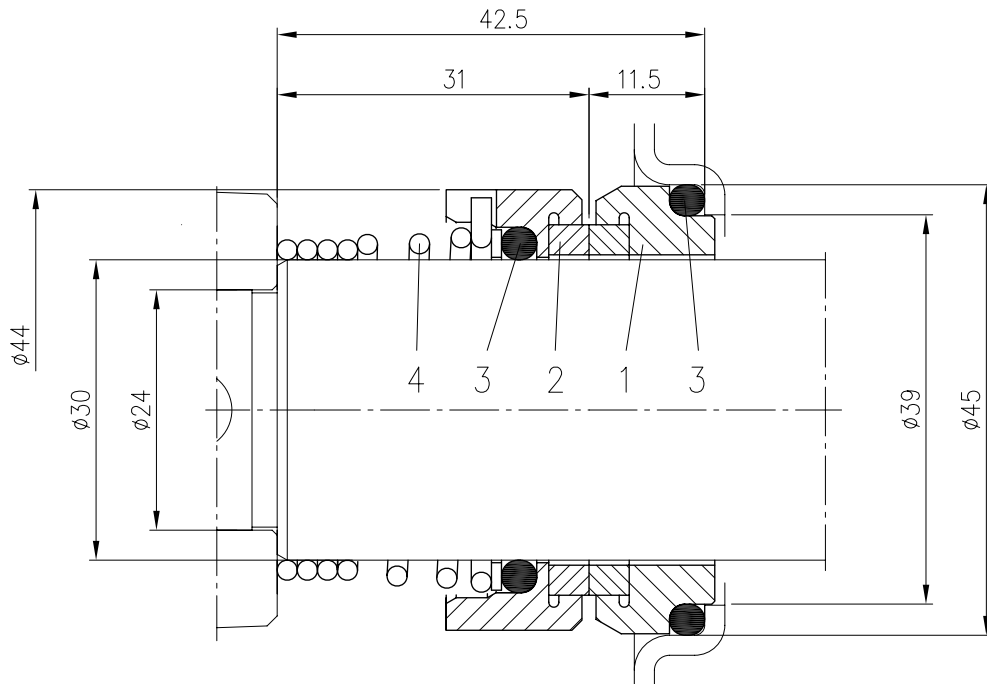
Version	Pump type	Dimensions [mm]								Material			
		d1	d2	d3	d4	d5	L	L1	L2	1 Stationary seal ring	2 Rotary seal ring	3 Rubber	4 Frame + Spring
Standard	32-125/160/200 40-125/160/200 50-125/160 65-125 65-160/9.26 65-160/116 65-160/156 65-200	22	19	38	31	37	37.5	27.5	10	Carbon	Ceramic	NBR	EN 1.4401 (AISI 316)
		30	24	46	39	45	42.5	32.5	10				
H	32-125/160/200 40-125/160/200 50-125/160 65-125 65-160/9.26 65-160/116 65-160/156 65-200	22	19	38	31	37	37.5	27.5	10	Carbon	Ceramic	FPM	EN 1.4401 (AISI 316)
		30	24	46	39	45	42.5	32.5	10				
E	32-125/160/200 40-125/160/200 50-125/160 65-125 65-160/9.26 65-160/116 65-160/156 65-200	22	19	38	31	37	37.5	27.5	10	Carbon	Ceramic	EPDM	EN 1.4401 (AISI 316)
		30	24	46	39	45	42.5	32.5	10				

MECHANICAL SEAL (HS version $\phi 22$)



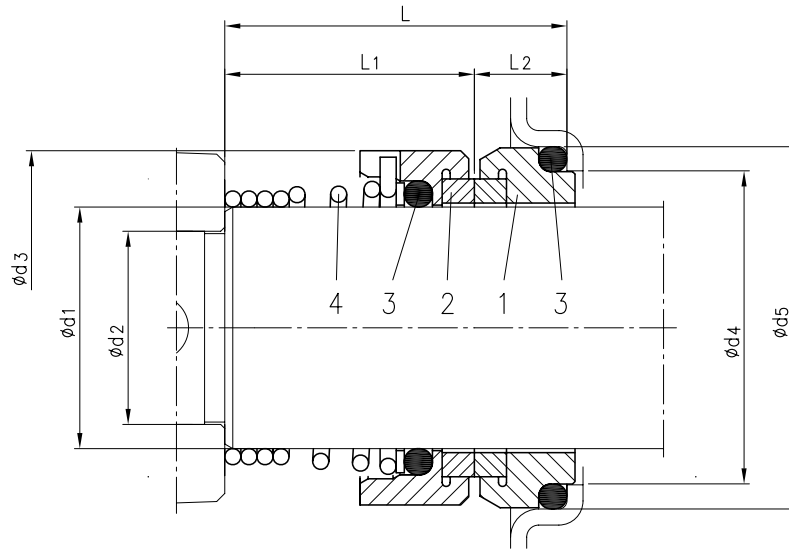
Pump type	Material			
	1 Stationary seal ring	2 Rotary seal ring	3 Rubber	4 Frame + spring
32-125/160/200 40-125/160/200 50-125/160 65-125 65-160/9.26 65-160/116	SiC	SiC	FPM	EN 1.4571 (AISI 316Ti)

MECHANICAL SEAL (HS version ø30)



Pump type	Material			
	1 Stationary seal ring	2 Rotary seal ring	3 Rubber	4 Frame + spring
65-160/156 65-200	SiC	SiC	FPM	EN 1.4571 (AISI 316Ti)

MECHANICAL SEAL (HW and HSW version)



Version	Pump type	Dimensions [mm]								Material			
		d1	d2	d3	d4	d5	L	L1	L2	1 Stationary seal ring	2 Rotary seal ring	3 Rubber	4 Frame + spring
HW	32-125/160/200 40-125/160/200 50-125/160 65-125 65-160/9.26 65-160/116	22	19	38	31	37	37.5	27.5	10	Tungsten Carbide	Tungsten Carbide	FPM	EN 1.4401 (AISI 316)
	65-160/156 65-200	30	24	46	39	45	42.5	32.5	10				
HSW	32-125/160/200 40-125/160/200 50-125/160 65-125 65-160/9.26 65-160/116	22	19	38	31	37	37.5	27.5	10	Tungsten Carbide	SiC	FPM	EN 1.4401 (AISI 316)
	65-160/156 65-200	30	24	46	39	45	42.5	32.5	10				

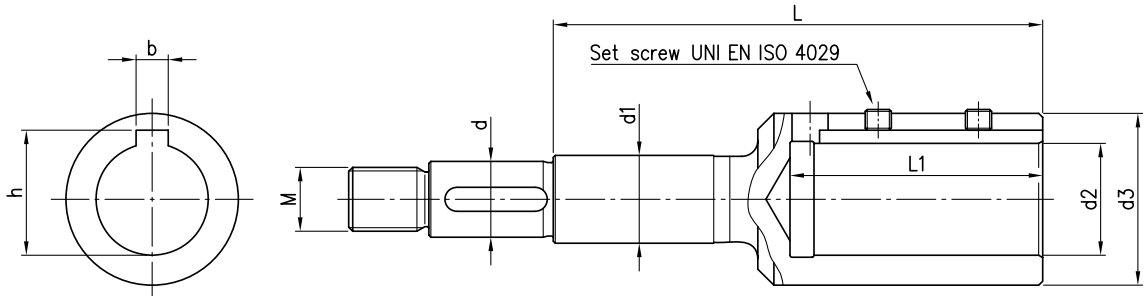
3D BEARINGS

Pump type	Ball Bearing	
	Pump side	Fan side
3D 32-125/2.26	6205-2RSH	6205-2RSH
3D 32-160/3.06		
3D 32-160/4.06	6206-2RSH	
3D 32-200/5.56	6306-2RS1	6206-2RS1
3D 32-200/7.56		
3D 40-125/3.06	6205-2RSH	6205-2RSH
3D 40-125/4.06	6206-2RS1	
3D 40-160/5.56	6306-2RS1	6206-2RS1
3D 40-160/7.56		
3D 40-200/116	6308-ZZ	6208-ZZ
3D 40-200/156	6309-ZZ	6309-ZZ
3D 50-125/5.56	6306-2RS1	6206-2RS1
3D 50-125/7.56		
3D 50-160/116	6308-ZZ	6208-ZZ
3D 50-160/156	6309-ZZ	6309-ZZ
3D 65-125/5.56	6306-2RS1	6206-2RS1
3D 65-125/7.56		
3D 65-160/9.26	6308-ZZ	6208-ZZ
3D 65-160/116		
3D 65-160/156	6309-ZZ	6309-ZZ
3D 65-200/156		
3D 65-200/18.56		
3D 65-200/226		

3DS-3DP BEARINGS

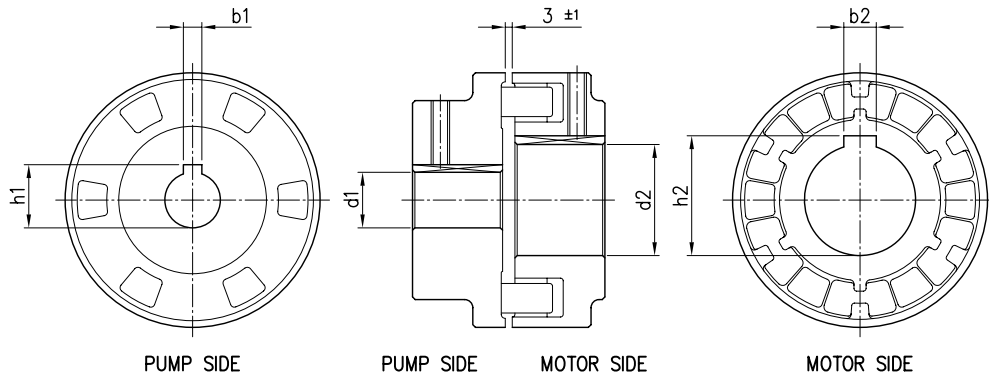
Pump type	Ball bearing		Pump type	Ball bearing			
	Pump side	Fan side		Pump		Motor	
				Pump side	Motor side	Pump side	Fan side
3DS 32-125/2.26	6205-2Z C3	6205-2Z C3	3DP 32-125/2.26	6306-2RS1	6206-2RS1	6205-2Z C3	6205-2Z C3
3DS 32-160/3.06	6206-2Z C3	6206-2Z C3	3DP 32-160/3.06			6206-2Z C3	6206-2Z C3
3DS 32-160/4.06	6306-2Z C3	6306-2Z C3	3DP 32-160/4.06			6306-2Z C3	6306-2Z C3
3DS 32-200/5.56	6208-2Z C3	6208-2Z C3	3DP 32-200/5.56			6208-2Z C3	6208-2Z C3
3DS 32-200/7.56			3DP 32-200/7.56				
3DS 40-125/3.06	6206-2Z C3	6206-2Z C3	3DP 40-125/3.06	6306-2RS1	6206-2RS1	6206-2Z C3	6206-2Z C3
3DS 40-125/4.06	6306-2Z C3	6306-2Z C3	3DP 40-125/4.06			6306-2Z C3	6306-2Z C3
3DS 40-160/5.56	6208-2Z C3	6208-2Z C3	3DP 40-160/5.56			6208-2Z C3	6208-2Z C3
3DS 40-160/7.56			3DP 40-160/7.56				
3DS 40-200/116	6309-2Z C3	6309-2Z C3	3DP 40-200/116			6309-2Z C3	6309-2Z C3
3DS 40-200/156			3DP 40-200/156				
3DS 50-125/5.56	6208-2Z C3	6208-2Z C3	3DP 50-125/5.56			6208-2Z C3	6208-2Z C3
3DS 50-125/7.56			3DP 50-125/7.56				
3DS 50-160/116	6309-2Z C3	6309-2Z C3	3DP 50-160/116	6308-2RS1	6306-2RS1	6309-2Z C3	6309-2Z C3
3DS 50-160/156			3DP 50-160/156				
3DS 65-125/5.56	6208-2Z C3	6208-2Z C3	3DP 65-125/5.56			6208-2Z C3	6208-2Z C3
3DS 65-125/7.56			3DP 65-125/7.56				
3DS 65-160/9.26			3DP 65-160/9.26				
3DS 65-160/116	6309-2Z C3	6309-2Z C3	3DP 65-160/116	6308-2RS1	6306-2RS1	6309-2Z C3	6309-2Z C3
3DS 65-160/156			3DP 65-160/156				
3DS 65-200/156			3DP 65-200/156				
3DS 65-200/18.56			3DP 65-200/18.56				
3DS 65-200/226	6311 C3	6311 C3	3DP 65-200/226			6311 C3	6311 C3

3DS COUPLING



Pump type	Power		Motor Size	Dimensions [mm]										
	[kW]	[HP]		d	d1	d2	d3	M	L	L1	b	h	Set screw	
32-125/2.26	2.2	3	90	19	22	24	39	M16x1.5	110	53	8	27.3	M8x8	
32-160/3.06	3	4	100	19	22	28	43	M16x1.5	122	63	8	31.3	M8x8	
32-160/4.06	4	5.5	112	19	22	28	43	M16x1.5	122	63	8	31.3	M8x8	
32-200/5.56	5.5	7.5	132	19	22	38	58	M16x1.5	145	84	10	41.3	M8x8	
32-200/7.56	7.5	10	132	19	22	38	58	M16x1.5	145	84	10	41.3	M8x8	
40-125/3.06	3	4	100	19	22	28	43	M16x1.5	122	63	8	31.3	M8x8	
40-125/4.06	4	5.5	112	19	22	28	43	M16x1.5	122	63	8	31.3	M8x8	
40-160/5.56	5.5	7.5	132	19	22	38	58	M16x1.5	145	84	10	41.3	M8x8	
40-160/7.56	7.5	10	132	19	22	38	58	M16x1.5	145	84	10	41.3	M8x8	
40-200/116	11	15	160	19	22	42	63	M16x1.5	178	114	12	45.3	M8x8	
40-200/156	15	20	160	19	22	42	63	M16x1.5	178	114	12	45.3	M8x8	
50-125/5.56	5.5	7.5	132	19	22	38	58	M16x1.5	145	84	10	41.3	M8x8	
50-125/7.56	7.5	10	132	19	22	38	58	M16x1.5	145	84	10	41.3	M8x8	
50-160/116	11	15	160	19	22	42	63	M16x1.5	178	114	12	45.3	M8x8	
50-160/156	15	20	160	19	22	42	63	M16x1.5	178	114	12	45.3	M8x8	
65-125/5.56	5.5	7.5	132	19	22	38	58	M16x1.5	145	84	10	41.3	M8x8	
65-125/7.56	7.5	10	132	19	22	38	58	M16x1.5	145	84	10	41.3	M8x8	
65-160/9.26	9.2	12.5	132	19	22	38	58	M16x1.5	145	84	10	41.3	M8x8	
65-160/116	11	15	160	19	22	42	63	M16x1.5	178	114	12	45.3	M8x8	
65-160/156	15	20	160	24	30	42	63	M20x1.5	184	114	12	45.3	M8x8	
65-200/156	15	20	160	24	30	42	63	M20x1.5	184	114	12	45.3	M8x8	
65-200/18.56	18.5	25	160	24	30	42	63	M20x1.5	184	114	12	45.3	M8x8	
65-200/226	22	30	180	24	30	48	72	M20x1.5	184	114	14	51.8	M10x10	

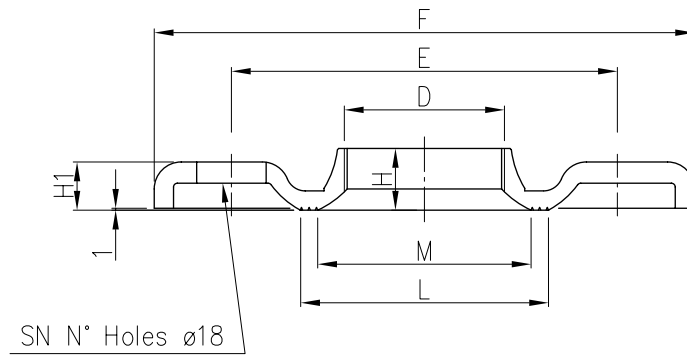
3DP FLEXIBLE COUPLING



Pump type	Power		Motor Size	Dimensions [mm]					
	[KW]	[HP]		d1	b1	h1	d2	b2	h2
32-125/2.26	2.2	3	90	24	8	27.3	24	8	27.3
32-160/3.06	3	4	100	24	8	27.3	28	8	31.3
32-160/4.06	4	5.5	112	24	8	27.3	28	8	31.3
32-200/5.56	5.5	7.5	132	24	8	27.3	38	10	41.3
32-200/7.56	7.5	10	132	24	8	27.3	38	10	41.3
40-125/3.06	3	4	100	24	8	27.3	28	8	31.3
40-125/4.06	4	5.5	112	24	8	27.3	28	8	31.3
40-160/5.56	5.5	7.5	132	24	8	27.3	38	10	41.3
40-160/7.56	7.5	10	132	24	8	27.3	38	10	41.3
40-200/116	11	15	160	24	8	27.3	42	12	45.3
40-200/156	15	20	160	24	8	27.3	42	12	45.3
50-125/5.56	5.5	7.5	132	24	8	27.3	38	10	41.3
50-125/7.56	7.5	10	132	24	8	27.3	38	10	41.3
50-160/116	11	15	160	24	8	27.3	42	12	45.3
50-160/156	15	20	160	24	8	27.3	42	12	45.3
65-125/5.56	5.5	7.5	132	24	8	27.3	38	10	41.3
65-125/7.56	7.5	10	132	24	8	27.3	38	10	41.3
65-160/9.26	9.2	12.5	132	24	8	27.3	38	10	41.3
65-160/116	11	15	160	24	8	27.3	42	12	45.3
65-160/156	15	20	160	24	8	27.3	42	12	45.3
65-200/156	15	20	160	24	8	27.3	42	12	45.3
65-200/18.56	18.5	25	160	24	8	27.3	42	12	45.3
65-200/226	22	30	180	24	8	27.3	48	14	51.8

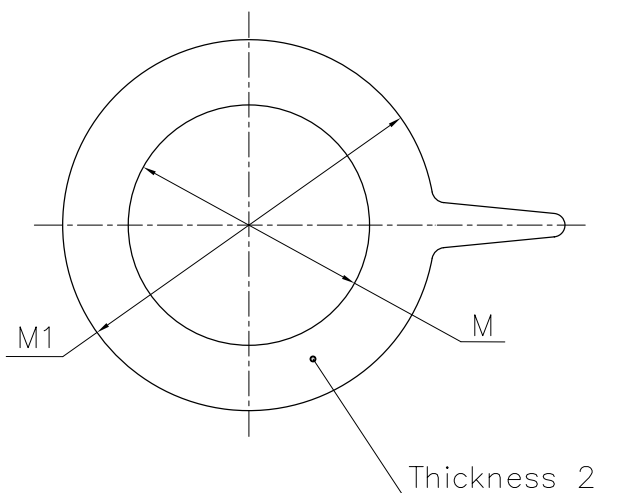
FITTINGS

COUNTERFLANGES GALVANIZED STEEL



DN	Dimensions								Screws	
	D	E	F	H	H1	L	M	SN	DIMENSION	MATERIAL
32	G 1 ¼	100	140	15	11.5	67	50	4	M16x55	Gv. Steel 8.8 Strenght class ISO 898-1
40	G 1 ½	110	150	17.5	11.5	72	58	4		
50	G 2	125	165	19	15	89	70	4		
65	G 2 ½	145	185	23	14	104	88	4		
80	G 3	160	200	24	14.5	117.5	100	4		

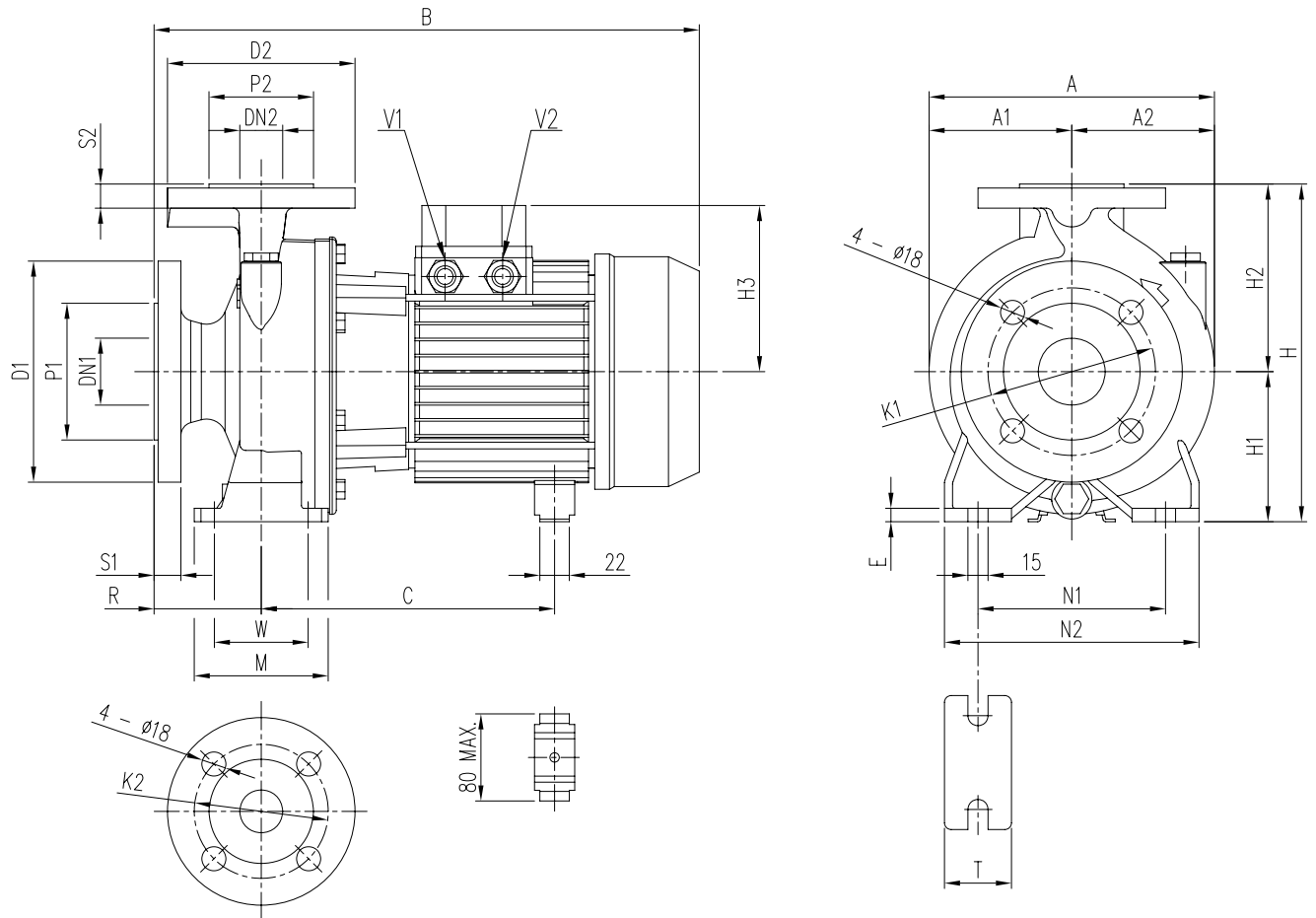
GASKETS



DN	M	M1
32	38	82
40	50	93
50	60	107
65	80	125
80	90	140

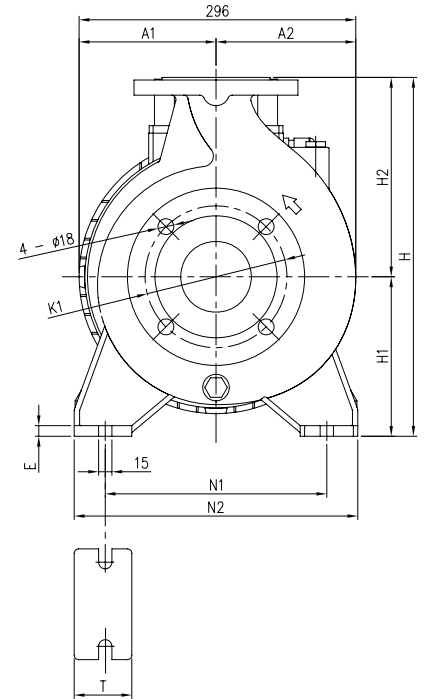
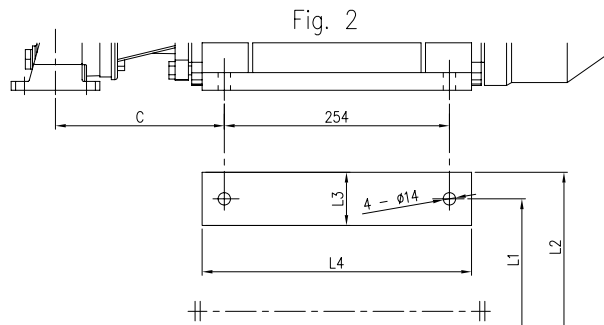
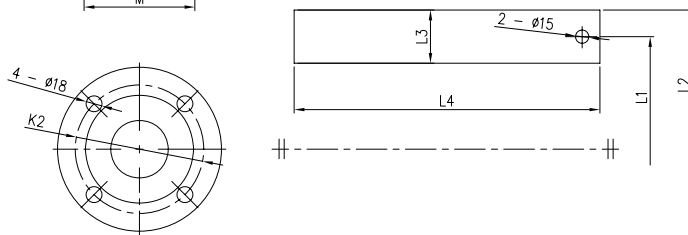
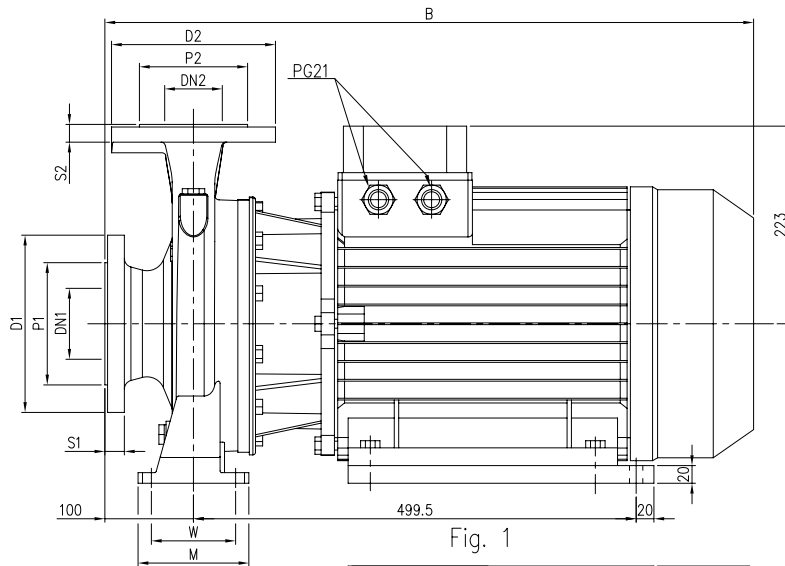
Material: EPDM for standard version
FPM for hot water version

PUMP 3D up to 11 kW



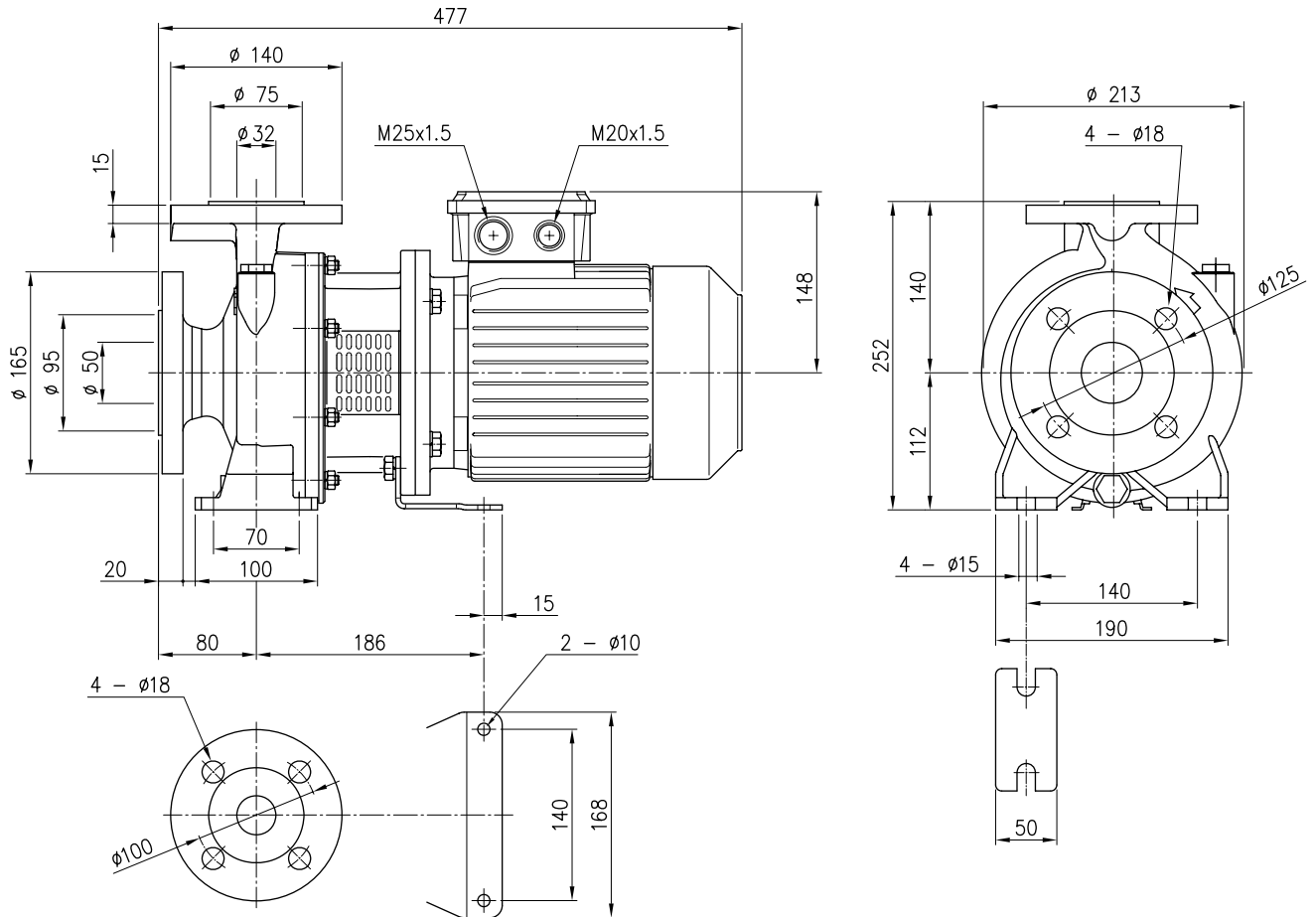
Pump type	Dimensions [mm]																										Weight [kgf]		
	\varnothing DN1	\varnothing P1	\varnothing K1	\varnothing D1	S1	\varnothing DN2	\varnothing P2	\varnothing K2	\varnothing D2	S2	H	H1	H2	H3	R	W	M	N1	N2	T	E	A	A1	A2	B	C		V1	V2
32-125/2.26	50	102	125	165	20	32	78	100	140	18	252	112	140	124	80	70	100	140	190	50	10	213	107	107	432	244-255	-	PG 13.5	31.0
32-160/3.06	50	102	125	165	20	32	78	100	140	18	292	132	160	124	80	70	100	190	240	50	10	254	127	127	471	244-255	-	PG 13.5	37.6
32-160/4.06	50	102	125	165	20	32	78	100	140	18	292	132	160	141	80	70	100	190	240	50	10	254	127	127	494	253	-	PG 16	45.9
32-200/5.56	50	102	125	165	20	32	78	100	140	18	340	160	180	150	80	70	100	190	240	50	10	296	148	148	519	275	PG13.5	PG 16	59.9
32-200/7.56	50	102	125	165	20	32	78	100	140	18	340	160	180	150	80	70	100	190	240	50	10	296	148	148	519	275	PG13.5	PG 16	59.4
40-125/3.06	65	122	145	185	20	40	88	110	150	18	252	112	140	124	80	70	100	160	210	50	10	213	108	112	471	244-255	-	PG 13.5	32.1
40-125/4.06	65	122	145	185	20	40	88	110	150	18	252	112	140	141	80	70	100	160	210	50	10	213	108	112	494	253	-	PG 16	45.7
40-160/5.56	65	122	145	185	20	40	88	110	150	18	292	132	160	150	80	70	100	190	240	50	12	254	127	127	519	275	PG13.5	PG 16	54.3
40-160/7.56	65	122	145	185	20	40	88	110	150	18	292	132	160	150	80	70	100	190	240	50	12	254	127	127	519	275	PG13.5	PG 16	62.2
40-200/116	65	122	145	185	20	40	88	110	150	18	340	160	180	178	100	70	100	212	265	50	12	296	148	148	595	359	PG13.5	PG 21	74.7
50-125/5.56	65	122	145	185	20	50	102	125	165	20	292	132	160	150	100	70	100	190	240	50	10	254	127	127	539	275	PG13.5	PG 16	56.2
50-125/7.56	65	122	145	185	20	50	102	125	165	20	292	132	160	150	100	70	100	190	240	50	10	254	127	127	539	275	PG13.5	PG 16	62.8
50-160/116	65	122	145	185	20	50	102	125	165	20	340	160	180	178	100	70	100	212	265	50	10	296	148	148	595	359	PG13.5	PG 21	76.6
65-125/5.56	80	138	160	200	22	65	122	145	185	20	340	160	180	150	100	95	125	212	280	65	12	254	127	136	539	275	PG13.5	PG 16	67.3
65-125/7.56	80	138	160	200	22	65	122	145	185	20	340	160	180	150	100	95	125	212	280	65	23	254	127	136	539	275	PG13.5	PG 16	68.3
65-160/9.26	80	138	160	200	22	65	122	145	185	20	360	160	200	178	100	95	125	212	280	65	12	296	148	148	595	359	PG13.5	PG 21	71.9
65-160/116	80	138	160	200	22	65	122	145	185	20	360	160	200	178	100	95	125	212	280	65	12	296	148	148	595	359	PG13.5	PG 21	81.0

PUMP 3D 15 kW and above



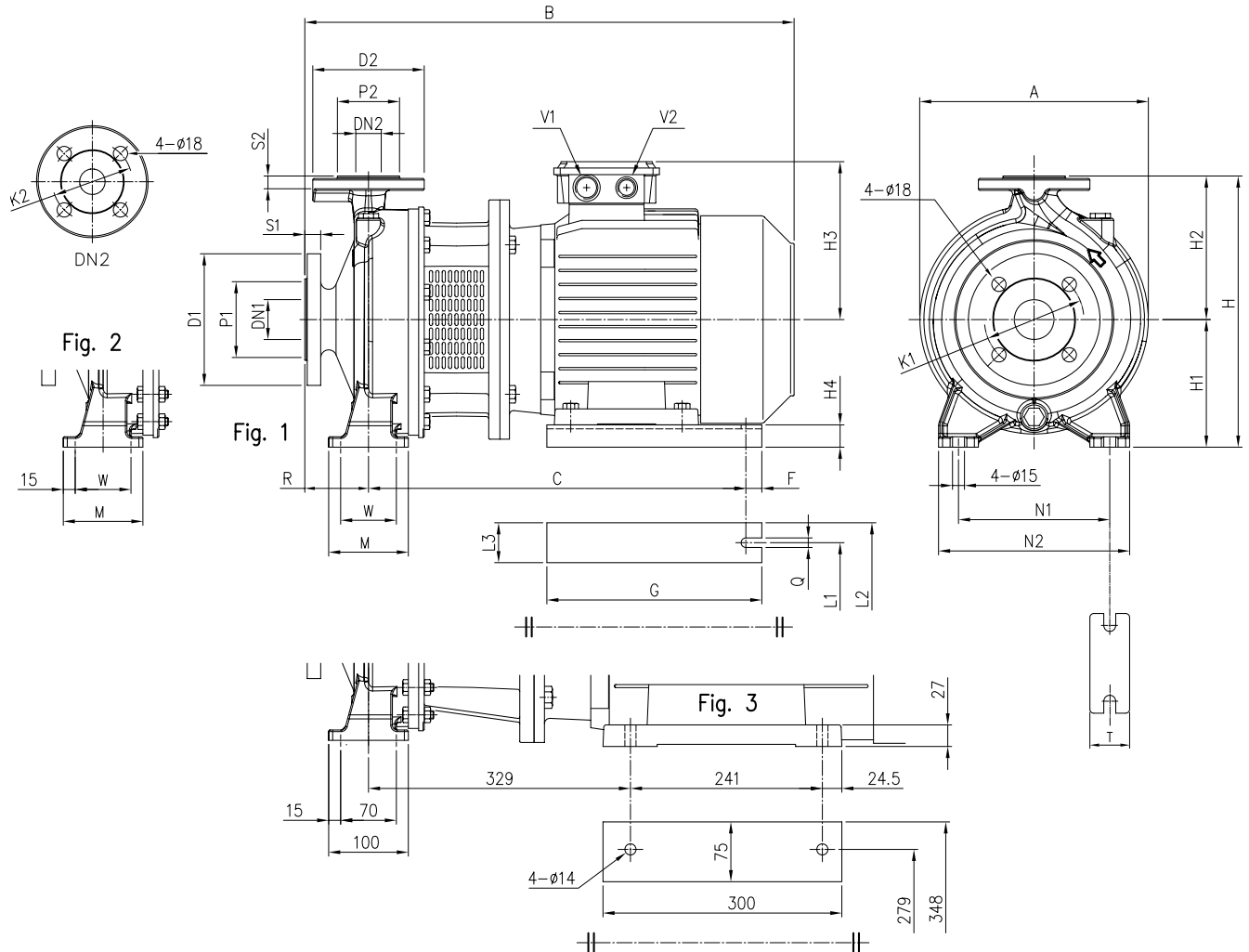
Pump type	Dimensions [mm]																								Weight [kgf]				
	∅ DN1	∅ P1	∅ K1	∅ D1	S1	∅ DN2	∅ P2	∅ K2	∅ D2	S2	Fig.	H	H1	H2	W	M	N1	N2	T	E	A1	A2	B	C		L1	L2	L3	L4
40-200/156	65	122	145	185	20	40	88	110	150	18	2	340	160	180	70	100	212	265	50	12	148	148	723	190.5	254	318	64	304	115.7
50-160/156	65	122	145	185	20	50	102	125	165	20	2	340	160	180	70	100	212	265	50	10	148	148	723	190.5	254	318	64	304	93.1
65-160/156	80	138	160	200	22	65	122	145	185	20	2	360	160	200	95	125	212	280	65	12	148	148	732	199.5	254	318	64	304	119.0
65-200/156	80	138	160	200	22	65	122	145	185	20	1	405	180	225	95	125	250	320	65	12	154.5	157.5	732	-	254	314	60	345	122.5
65-200/18.56	80	138	160	200	22	65	122	145	185	20	1	405	180	225	95	125	250	320	65	12	154.5	157.5	732	-	254	314	60	345	136.5
65-200/226	80	138	160	200	22	65	122	145	185	20	1	405	180	225	95	125	250	320	65	12	154.5	157.5	732	-	254	314	60	345	144.5

PUMP 3DS 32-125/2.26



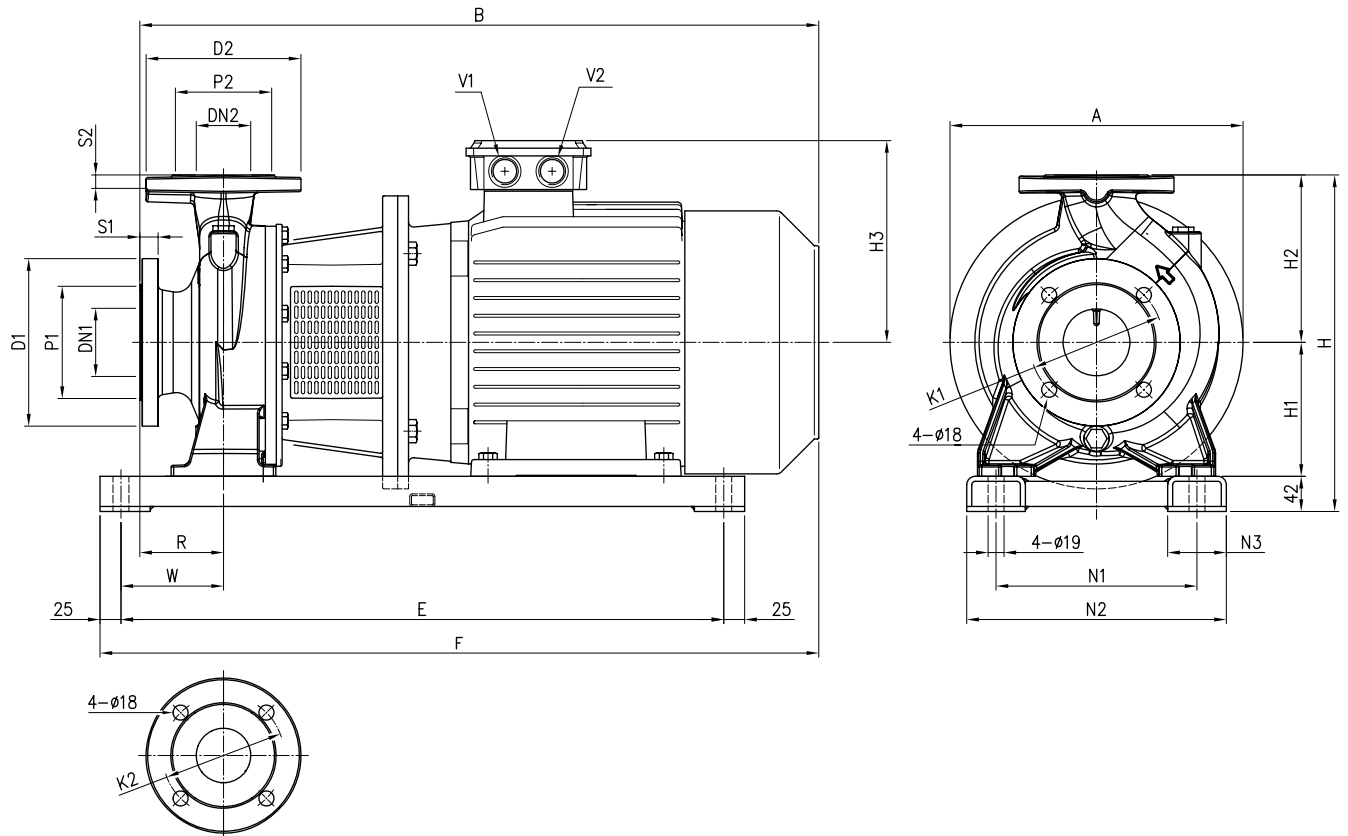
Pump weight: 40.3 kgf

PUMP 3DS 32, 65



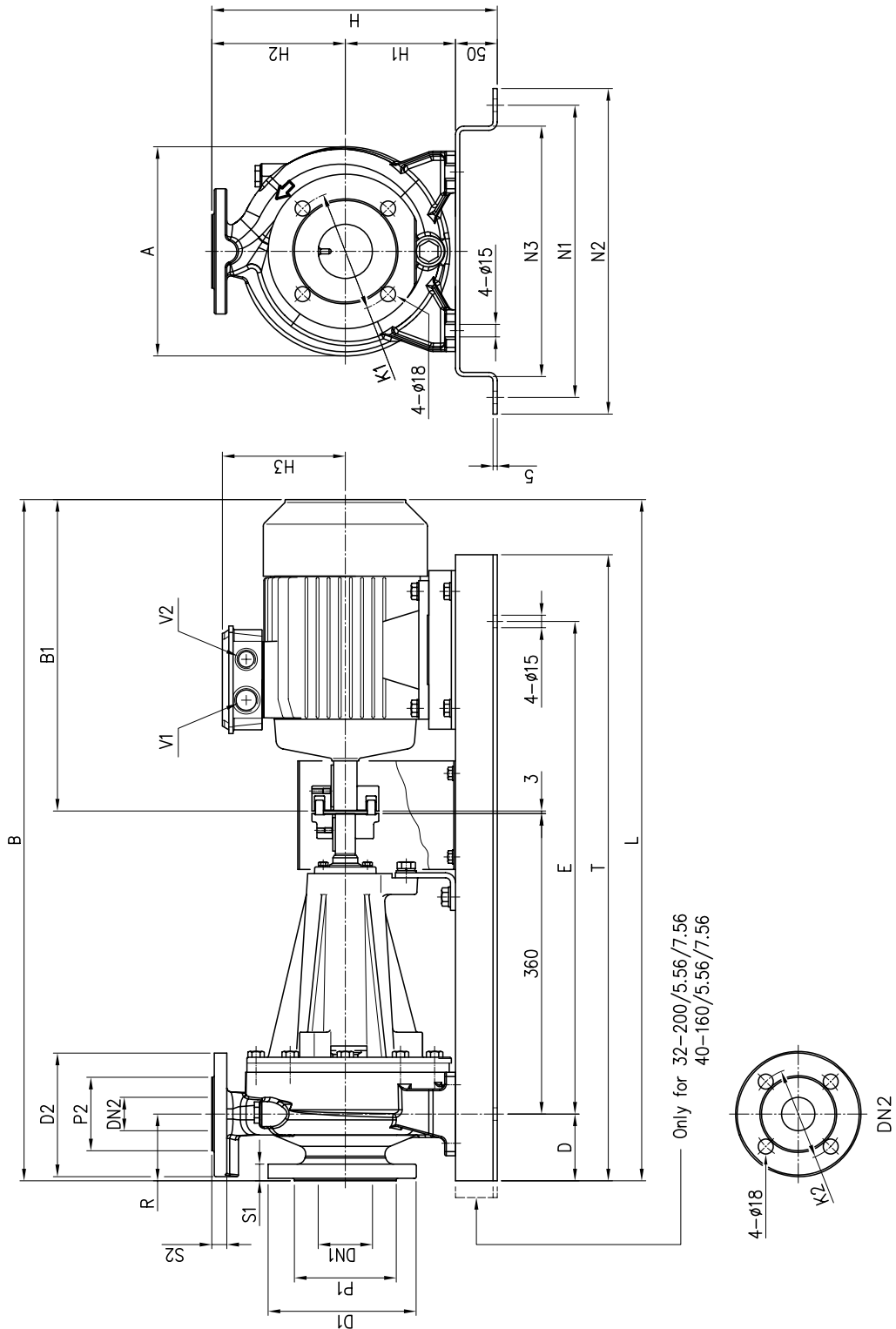
Pump type	Dimensions [mm]																											Weight [kg]								
	∅ DN1	∅ P1	∅ K1	∅ D1	S1	∅ DN2	∅ P2	∅ K2	∅ D2	S2	Fig.	H	H1	H2	H3	H4	R	W	M	N1	N2	T	A	B	C	F	G		Q	L1	L2	L3	V1	V2		
32-160/3.06	50	102	125	165	20	32	78	100	140	18	1	292	132	160	155	32	80	70	100	190	240	50	254	528	388	15	220	12	160	200	40	M25X1.5	M20X1.5	49.8		
32-160/4.06	50	102	125	165	20	32	78	100	140	18	1	292	132	160	171	20	80	70	100	190	240	50	254	550	395	15	220	12	190	240	50	M25X1.5	M20X1.5	51.4		
32-200/5.56	50	102	125	165	20	32	78	100	140	18	1	340	160	180	198	28	80	70	100	190	240	50	300	607	479	15	270	12	216	266	50	M32X1.5	M32X1.5	83.2		
32-200/7.56	50	102	125	165	20	32	78	100	140	18	1	340	160	180	198	28	80	70	100	190	240	50	300	607	479	15	270	12	216	266	50	M32X1.5	M32X1.5	96.4		
65-125/5.56	80	138	160	200	22	65	122	145	185	20	2	340	160	180	198	28	100	95	125	212	280	65	300	627	479	15	270	12	216	266	50	M32X1.5	M32X1.5	75.3		
65-125/7.56	80	138	160	200	22	65	122	145	185	20	2	340	160	180	198	28	100	95	125	212	280	65	300	627	479	15	270	12	216	266	50	M32X1.5	M32X1.5	92.7		
65-160/9.26	80	138	160	200	22	65	122	145	185	20	2	360	160	200	198	28	100	95	125	212	280	65	300	667	479	15	270	12	216	266	50	M32X1.5	M32X1.5	103.0		
65-200/156	80	138	160	200	22	65	122	145	185	20	2	405	180	225	238	20	100	95	125	250	320	65	350	806	621	20	350	14	254	314	60	M40X1.5	M40X1.5	137.6		
65-200/18.56	80	138	160	200	22	65	122	145	185	20	2	405	180	225	238	20	100	95	125	250	320	65	350	850	621	20	350	14	254	314	60	M40X1.5	M40X1.5	147.2		
65-200/226	80	138	160	200	22	65	122	145	185	20	3	405	180	225	268	-	100	-	-	250	320	65	360	885	-	-	-	-	-	-	-	-	-	M32X1.5	M32X1.5	184.5

PUMP 3DS 40, 50, 65



Pump type	Dimensions [mm]																							Weight [kgf]		
	∅ DN1	∅ P1	∅ K1	∅ D1	S1	∅ DN2	∅ P2	∅ K2	∅ D2	S2	H	H1	H2	H3	R	W	N1	N2	N3	A	B	E	F		V1	V2
40-125/3.06	65	122	145	185	20	40	88	110	150	18	294	112	140	155	80	90	180	240	60	250	528	500	563	M25x1.5	M20x1.5	43.6
40-125/4.06	65	122	145	185	20	40	88	110	150	18	294	112	140	171	80	90	180	240	60	250	550	500	585	M25x1.5	M20x1.5	53.7
40-160/5.56	65	122	145	185	20	40	88	110	150	18	334	132	160	198	80	110	210	270	60	300	607	600	662	M32x1.5	M32x1.5	83.2
40-160/7.56	65	122	145	185	20	40	88	110	150	18	334	132	160	198	80	110	210	270	60	300	607	600	662	M32x1.5	M32x1.5	91.0
40-200/116	65	122	145	185	20	40	88	110	150	18	382	160	180	238	100	110	240	310	70	350	796	720	831	M40x1.5	M40x1.5	119.7
40-200/156	65	122	145	185	20	40	88	110	150	18	382	160	180	238	100	110	240	310	70	350	796	720	831	M40x1.5	M40x1.5	143.7
50-125/5.56	65	122	145	185	20	50	102	125	165	20	334	132	160	198	100	110	210	270	60	300	627	600	662	M32x1.5	M32x1.5	75.1
50-125/7.56	65	122	145	185	20	50	102	125	165	20	334	132	160	198	100	110	210	270	60	300	627	600	662	M32x1.5	M32x1.5	100.3
50-160/116	65	122	145	185	20	50	102	125	165	20	382	160	180	238	100	110	240	310	70	350	796	720	831	M40x1.5	M40x1.5	88.6
50-160/156	65	122	145	185	20	50	102	125	165	20	382	160	180	238	100	110	240	310	70	350	796	720	831	M40x1.5	M40x1.5	116.6
65-160/116	80	138	160	200	22	65	122	145	185	20	402	160	200	238	100	122.5	240	310	70	350	796	720	844	M40x1.5	M40x1.5	89.6
65-160/156	80	138	160	200	22	65	122	145	185	20	402	160	200	238	100	122.5	240	310	70	350	806	720	854	M40x1.5	M40x1.5	117.6

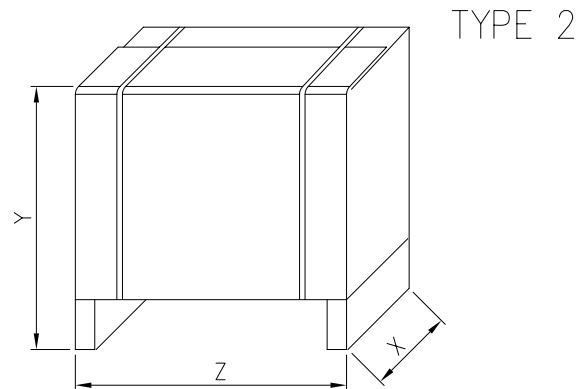
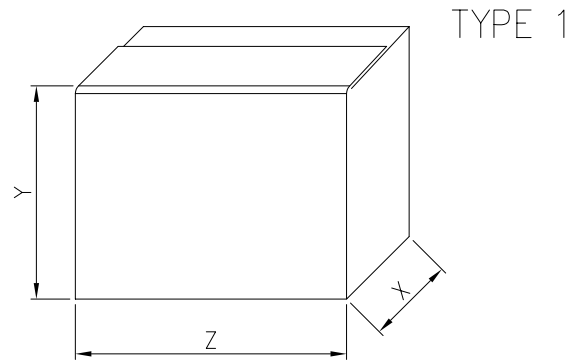
PUMP 3DP



Model	Dimensions [mm]																				Weight [kgf]							
	DN1	Ø P1	Ø K1	Ø D1	Ø S1	DN2	Ø P2	Ø K2	Ø D2	S2	H	H1	H2	H3	R	A	B	B2	D	E		N1	N2	N3	T	L	V1	V2
32-125/2.26	50	102	125	165	20	32	78	100	140	18	302	112	140	148	80	213	760	317	80	550	300	340	250	710	760	M25x1.5	M20x1.5	61.4
32-160/3.06	50	102	125	165	20	32	78	100	140	18	342	132	160	155	80	254	809	366	80	590	350	390	300	750	809	M25x1.5	M20x1.5	81.9
32-160/4.06	50	102	125	165	20	32	78	100	140	18	342	132	160	171	80	254	831	388	80	590	350	390	300	750	831	M25x1.5	M20x1.5	85.5
32-200/5.56	50	102	125	165	20	32	78	100	140	18	390	160	180	198	80	296	885	442	100	650	350	390	300	850	905	M32x1.5	M32x1.5	108.4
32-200/7.56	50	102	125	165	20	32	78	100	140	18	390	160	180	198	80	296	885	442	100	650	350	390	300	850	905	M32x1.5	M32x1.5	121.6
40-125/3.06	65	122	145	185	20	40	88	110	150	18	302	112	140	155	80	213	809	366	80	590	300	340	250	750	809	M25x1.5	M20x1.5	89.1
40-125/4.06	65	122	145	185	20	40	88	110	150	18	302	112	140	171	80	213	831	388	80	590	300	340	250	750	831	M25x1.5	M20x1.5	75.7
40-160/5.56	65	122	145	185	20	40	88	110	150	18	342	132	160	198	80	254	885	442	100	650	350	390	300	850	905	M32x1.5	M32x1.5	109.0
40-160/7.56	65	122	145	185	20	40	88	110	150	18	342	132	160	198	80	254	885	442	100	650	350	390	300	850	905	M32x1.5	M32x1.5	115.9
40-200/1.16	65	122	145	185	20	40	88	110	150	18	390	160	180	238	100	296	1071	608	100	800	380	420	330	1000	1071	M40x1.5	M40x1.5	129.7
40-200/1.56	65	122	145	185	20	40	88	110	150	18	390	160	180	238	100	296	1071	608	100	800	380	420	330	1000	1071	M40x1.5	M40x1.5	130.7
50-125/5.56	65	122	145	185	20	50	102	125	165	20	342	132	160	198	100	254	905	442	100	650	350	390	300	850	905	M32x1.5	M32x1.5	110.3
50-125/7.56	65	122	145	185	20	50	102	125	165	20	342	132	160	198	100	254	905	442	100	650	350	390	300	850	905	M32x1.5	M32x1.5	117.2
50-160/1.16	65	122	145	185	20	50	102	125	165	20	390	160	180	238	100	296	1071	608	100	800	380	420	330	1000	1071	M40x1.5	M40x1.5	130.1
50-160/1.56	65	122	145	185	20	50	102	125	165	20	390	160	180	238	100	296	1071	608	100	800	380	420	330	1000	1071	M40x1.5	M40x1.5	131.1
65-125/5.56	80	138	160	200	22	65	122	145	185	20	390	160	180	198	100	254	905	442	100	650	350	390	300	850	905	M32x1.5	M32x1.5	114.3
65-125/7.56	80	138	160	200	22	65	122	145	185	20	390	160	180	198	100	254	905	442	100	650	350	390	300	850	905	M32x1.5	M32x1.5	122.7
65-160/9.26	80	138	160	200	22	65	122	145	185	20	410	160	200	198	100	296	945	482	100	650	350	390	300	850	945	M32x1.5	M32x1.5	133.0
65-160/1.16	80	138	160	200	22	65	122	145	185	20	410	160	200	238	100	296	1071	608	100	800	380	420	330	1000	1071	M40x1.5	M40x1.5	130.0
65-160/1.56	80	138	160	200	22	65	122	145	185	20	410	160	200	238	100	296	1071	608	100	800	380	420	330	1000	1071	M40x1.5	M40x1.5	128.1
65-200/1.56	80	138	160	200	22	65	122	145	185	20	455	180	225	238	100	296	1071	608	100	800	380	420	330	1000	1071	M40x1.5	M40x1.5	136.6
65-200/18.56	80	138	160	200	22	65	122	145	185	20	455	180	225	238	100	296	1115	652	100	800	380	420	330	1000	1115	M40x1.5	M40x1.5	145.2
65-200/2.26	80	138	160	200	22	65	122	145	185	20	455	180	225	268	100	296	1150	687	100	800	410	450	360	1000	1150	M32x1.5	M32x1.5	198.5

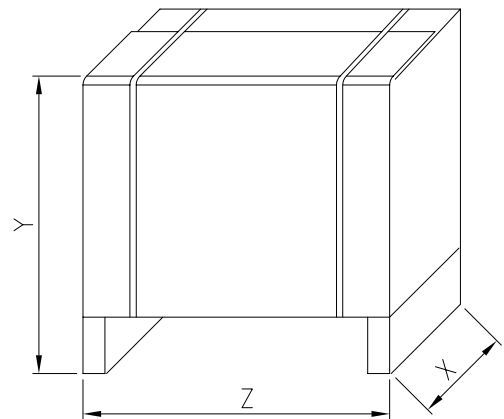
PACKING 3D

Pump type	Packing [mm]			Weight [kgf]	Pack type	
	X	Y	Z			
32-125/2.26	280	340	490	33	1	
32-160/3.06	350	488	580	41.7		
32-160/4.06	350	488	580	51.7		
32-200/5.56	350	488	580	66		
32-200/7.56	350	488	580	65.9		
40-125/3.06	350	488	580	37.5		
40-125/4.06	350	488	580	51.3		
40-160/5.56	350	488	580	64.6		
40-160/7.56	350	488	580	67.4		
40-200/116	350	508	700	82.4		
40-200/156	390	542	880	122.7		
50-125/5.56	350	488	580	61		2
50-125/7.56	350	488	580	67.6		
50-160/116	350	508	700	80.6		
50-160/156	390	542	880	99.1		
65-125/5.56	350	488	580	72.3		
65-125/7.56	350	508	700	74.2		
65-160/9.26	350	508	700	78.3		
65-160/116	350	508	700	83		
65-160/156	390	542	880	127		
65-200/156	390	542	880	130.5		
65-200/18.56	390	542	880	146.5		
65-200/226	390	542	880	153.5		



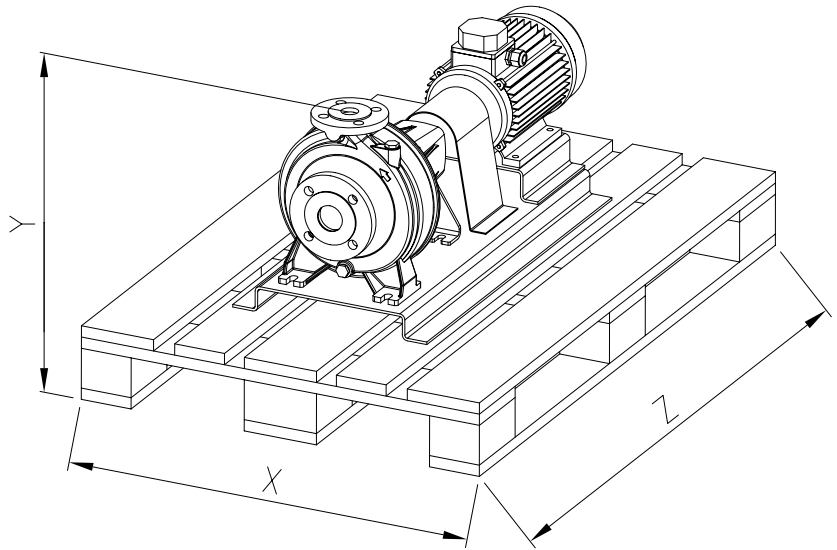
PACKING 3DS

Pump type	Packing [mm]			Weight [kgf]
	X	Y	Z	
32-125/2.26	350	488	580	42.3
32-160/3.06	350	488	580	55.1
32-160/4.06	350	488	580	56.7
32-200/5.56	350	508	700	88.4
32-200/7.56	350	508	700	101.6
40-125/3.06	350	488	580	48.9
40-125/4.06	350	488	580	59
40-160/5.56	350	508	700	88.4
40-160/7.56	350	508	700	96.2
40-200/116	360	542	880	127.8
40-200/156	360	542	880	151.8
50-125/5.56	350	508	700	83.2
50-125/7.56	350	508	700	108.4
50-160/116	360	542	880	96.7
50-160/156	360	542	880	124.7
65-125/5.56	350	508	700	80.5
65-125/7.56	350	508	700	97.9
65-160/9.26	350	508	700	108.2
65-160/116	360	542	880	97.7
65-160/156	390	598	970	125.6
65-200/156	390	598	970	145.6
65-200/18.56	390	598	970	157.7
65-200/226	390	598	970	193.5



PACKING 3DP

Pump type	Packing [mm]			Weight [kgf]
	X	Y	Z	
32-125/2.26		394		75.0
32-160/3.06		434		95.5
32-160/4.06				99.0
32-200/5.56		482		122.0
32-200/7.56				135.0
40-125/3.06		394		102.5
40-125/4.06				89.2
40-160/5.56		434		122.5
40-160/7.56				129.5
40-200/116		482		143.2
40-200/156				144.2
50-125/5.56	800	434	1200	123.8
50-125/7.56				130.7
50-160/116				143.5
50-160/156		482		144.5
65-125/5.56				127.8
65-125/7.56				136.2
65-160/9.26				146.5
65-160/116		502		143.5
65-160/156				142.0
65-200/156				150.0
65-200/18.56		547		158.7
65-200/226				212.0



MOTOR DATA 3D

Pump type	Power		Efficiency (% load)			Efficiency (% load)			Input [kW]	Full load current				Locked rotor current			
	[kW]	[HP]	Three phase (380 V)			Three phase (460 V)				[A]				[A]			
			H _γ			H _γ				Three Phase				Three Phase			
			50%	75%	100%	50%	75%	100%		220 V	380 V	460 V	660 V	220 V	380 V	460 V	660 V
3D 32-125/2.26	2.2	3.0	80.5	83.3	83.5	77.3	82.4	84.1	2.9	7.0	4.1	4.1	-	61.5	35.5	43.0	-
3D 32-160/3.06	3.0	4.0	84.0	85.9	85.2	80.2	83.5	84.6	3.9	10.5	6.1	5.6	-	92.1	53.2	57.0	-
3D 32-160/4.06	4.0	5.5	83.2	85.8	86.1	81.0	85.1	86.7	5.1	14.7	8.5	8.0	-	108.8	62.8	76.0	-
3D 32-200/5.56	5.5	7.5	83.4	85.3	85.7	82.9	86.0	87.4	7.0	-	11.6	9.5	6.7	-	90.9	110.0	63.5
3D 32-200/7.56	7.5	10.0	83.1	85.4	85.8	82.6	86.1	87.5	9.4	-	14.9	12.7	8.6	-	121.4	147.0	84.9
3D 40-125/3.06	3.0	4.0	84.0	85.9	85.2	80.2	83.5	84.6	3.9	10.5	6.1	5.6	-	92.1	53.2	57.0	-
3D 40-125/4.06	4.0	5.5	83.2	85.8	86.1	81.0	85.1	86.7	5.1	14.7	8.5	8.0	-	108.8	62.8	76.0	-
3D 40-160/5.56	5.5	7.5	83.4	85.3	85.7	82.9	86.0	87.4	7.0	-	11.6	9.5	6.7	-	90.9	110.0	63.5
3D 40-160/7.56	7.5	10.0	83.1	85.4	85.8	82.6	86.1	87.5	9.4	-	14.9	12.7	8.6	-	121.4	147.0	84.9
3D 40-200/116	11.0	15.0	87.3	88.8	88.6	85.9	88.7	89.6	11.3	-	17.7	15.4	10.3	-	125.6	152.0	87.8
3D 40-200/156	15.0	20.0	90.9	91.5	91.0	89.4	91.3	91.8	17.9	-	28.7	25.0	16.6	-	198.3	240.0	138.6
3D 50-125/5.56	5.5	7.5	83.4	85.3	85.7	82.9	86.0	87.4	7.0	-	11.6	9.5	6.7	-	90.9	110.0	63.5
3D 50-125/7.56	7.5	10.0	83.1	85.4	85.8	82.6	86.1	87.5	9.4	-	14.9	12.7	8.6	-	121.4	147.0	84.9
3D 50-160/116	11.0	15.0	87.3	88.8	88.6	85.9	88.7	89.6	11.3	-	17.7	15.4	10.3	-	125.6	152.0	87.8
3D 50-160/156	15.0	20.0	90.9	91.5	91.0	89.4	91.3	91.8	17.9	-	28.7	25.0	16.6	-	198.3	240.0	138.6
3D 65-125/5.56	5.5	7.5	83.4	85.3	85.7	82.9	86.0	87.4	7.0	-	11.6	9.5	6.7	-	90.9	110.0	63.5
3D 65-125/7.56	7.5	10.0	83.1	85.4	85.8	82.6	86.1	87.5	9.4	-	14.9	12.7	8.6	-	121.4	147.0	84.9
3D 65-160/9.26	9.2	13.0	87.3	88.8	88.6	85.9	88.7	89.6	11.3	-	17.7	15.4	10.3	-	125.6	152.0	87.8
3D 65-160/116	11.0	15.0	91.9	91.8	91.2	90.9	92.0	91.9	13.2	-	18.3	18.3	10.5	-	132.2	160.0	92.4
3D 65-160/156	15.0	20.0	90.9	91.5	91.0	89.4	91.3	91.8	17.9	-	28.7	25.0	16.6	-	198.3	240.0	138.6
3D 65-200/156	15.0	20.0	90.9	91.5	91.0	89.4	91.3	91.8	17.9	-	28.7	25.0	16.6	-	198.3	240.0	138.6
3D 65-200/18.56	18.5	25.0	91.7	92.8	92.5	90.3	92.1	92.9	21.9	-	34.8	31.0	20.1	-	271.0	328.0	189.4
3D 65-200/226	22.0	30.0	89.7	91.2	91.3	88.4	91.0	91.7	26.4	-	41.7	36.4	24.0	-	316.4	383.0	221.1

MOTOR DATA 3DS-3DP

Pump type		Power		Input [kW]	Efficiency (% load) and power-factor			cos-φ	Full load current [A]		Locked rotor current [A]	
3DS	3DP	[kW]	[HP]		50%	75%	100%		Three Phase		Three Phase	
								265 V	460 V	265 V	460 V	
3DS 32-125/2.26	3DP 32-125/2.26	2.2	3	2.65	79.6	83.2	84.3	0.81	7.1	4.1	56.8	32.8
3DS 32-160/3.06	3DP 32-160/3.06	3	4	3.56	80.7	84.4	85.5	0.86	9.0	5.2	86.4	49.9
3DS 32-160/4.06	3DP 32-160/4.06	4	5.5	4.70	81.3	84.2	85.0	0.83	12.3	7.1	125.4	72.4
3DS 32-200/5.56	3DP 32-200/5.56	5.5	7.5	6.22	83.5	86.6	87.8	0.84	-	9.3	-	84.6
3DS 32-200/7.56	3DP 32-200/7.56	7.5	10	8.36	86.3	88.7	89.3	0.86	-	12.2	-	111.0
3DS 40-125/3.06	3DP 40-125/3.06	3	4	3.56	80.7	84.4	85.5	0.86	9.0	5.2	86.4	49.9
3DS 40-125/4.06	3DP 40-125/4.06	4	5.5	4.70	81.3	84.2	85.0	0.83	12.3	7.1	125.4	72.4
3DS 40-160/5.56	3DP 40-160/5.56	5.5	7.5	6.22	83.5	86.6	87.8	0.84	-	9.3	-	84.6
3DS 40-160/7.56	3DP 40-160/7.56	7.5	10	8.36	86.3	88.7	89.3	0.86	-	12.2	-	111.0
3DS 40-200/116	3DP 40-200/116	11	15	12.15	85.2	88.0	90.0	0.82	-	18.6	-	165.5
3DS 40-200/156	3DP 40-200/156	15	20	16.71	88.2	90.1	90.2	0.90	-	23.3	-	223.7
3DS 50-125/5.56	3DP 50-125/5.56	5.5	7.5	6.22	83.5	86.6	87.8	0.84	-	9.3	-	84.6
3DS 50-125/7.56	3DP 50-125/7.56	7.5	10	8.36	86.3	88.7	89.3	0.86	-	12.2	-	111.0
3DS 50-160/116	3DP 50-160/116	11	15	12.15	85.2	88.0	90.0	0.82	-	18.6	-	165.5
3DS 50-160/156	3DP 50-160/156	15	20	16.71	88.2	90.1	90.2	0.90	-	23.3	-	223.7
3DS 65-125/5.56	3DP 65-125/5.56	5.5	7.5	6.22	83.5	86.6	87.8	0.84	-	9.3	-	84.6
3DS 65-125/7.56	3DP 65-125/7.56	7.5	10	8.36	86.3	88.7	89.3	0.86	-	12.2	-	111.0
3DS 65-160/9.26	3DP 65-160/9.26	9.2	12.5	10.40	86.5	88.9	89.5	0.90	-	14.5	-	137.7
3DS 65-160/116	3DP 65-160/116	11	15	12.15	85.2	88.0	90.0	0.82	-	18.6	-	165.5
3DS 65-160/156	3DP 65-160/156	15	20	16.71	88.2	90.1	90.2	0.90	-	23.3	-	223.7
3DS 65-200/156	3DP 65-200/156	15	20	16.71	88.2	90.1	90.2	0.90	-	23.3	-	223.7
3DS 65-200/18.56	3DP 65-200/18.56	18.5	25	20.32	88.7	90.8	90.9	0.82	-	31.1	-	276.8
3DS 65-200/226	3DP 65-200/226	22	30	24.11	-	-	91.3	0.89	-	34.0	-	290.0

3D NOISE DATA

Pump type	Power		L _{pA} - dB(A) *
	[kW]	[HP]	
3D 32-125/2.26	2.2	3.0	68
3D 32-160/3.06	3.0	4.0	75
3D 32-160/4.06	4.0	5.5	
3D 32-200/5.56	5.5	7.5	78
3D 32-200/7.56	7.5	10	
3D 40-125/3.06	3.0	4.0	75
3D 40-125/4.06	4.0	5.5	
3D 40-160/5.56	5.5	7.5	78
3D 40-160/7.56	7.5	10	
3D 40-200/116	11	15	82
3D 40-200/156	15	20	
3D 50-125/5.56	5.5	7.5	78
3D 50-125/7.56	7.5	10	
3D 50-160/116	11	15	82
3D 50-160/156	15	20	
3D 65-125/5.56	5.5	7.5	78
3D 65-125/7.56	7.5	10	
3D 65-160/9.26	9.2	12.5	82
3D 65-160/116	11	15	
3D 65-160/156	15	20	86
3D 65-200/156	15	20	
3D 65-200/18.56	18.5	25	
3D 65-200/226	22	30	

*Mean value of several measures at
1m distance around the pump.
Tolerance ± 2.5 dB.

3DS – 3DP NOISE DATA

Pump type		Power		L _{pA} - dB(A) *
3DS	3DP	[kW]	[HP]	
3DS 32-125/2.26	3DP 32-125/2.26	2.2	3	70
3DS 32-160/3.06	3DP 32-160/3.06	3	4	74
3DS 32-160/4.06	3DP 32-160/4.06	4	5.5	78
3DS 32-200/5.56	3DP 32-200/5.56	5.5	7.5	82
3DS 32-200/7.56	3DP 32-200/7.56	7.5	10	
3DS 40-125/3.06	3DP 40-125/3.06	3	4	74
3DS 40-125/4.06	3DP 40-125/4.06	4	5.5	78
3DS 40-160/5.56	3DP 40-160/5.56	5.5	7.5	82
3DS 40-160/7.56	3DP 40-160/7.56	7.5	10	
3DS 40-200/116	3DP 40-200/116	11	15	84
3DS 40-200/156	3DP 40-200/156	15	20	
3DS 50-125/5.56	3DP 50-125/5.56	5.5	7.5	82
3DS 50-125/7.56	3DP 50-125/7.56	7.5	10	
3DS 50-160/116	3DP 50-160/116	11	15	84
3DS 50-160/156	3DP 50-160/156	15	20	
3DS 65-125/5.56	3DP 65-125/5.56	5.5	7.5	82
3DS 65-125/7.56	3DP 65-125/7.56	7.5	10	
3DS 65-160/9.26	3DP 65-160/9.26	9.2	12.5	84
3DS 65-160/116	3DP 65-160/116	11	15	
3DS 65-160/156	3DP 65-160/156	15	20	84
3DS 65-200/156	3DP 65-200/156	15	20	
3DS 65-200/18.56	3DP 65-200/18.56	18.5	25	85
3DS 65-200/226	3DP 65-200/226	22	30	

*Mean value of several measures at 1m distance around the pump.
Tolerance ± 2.5 dB.